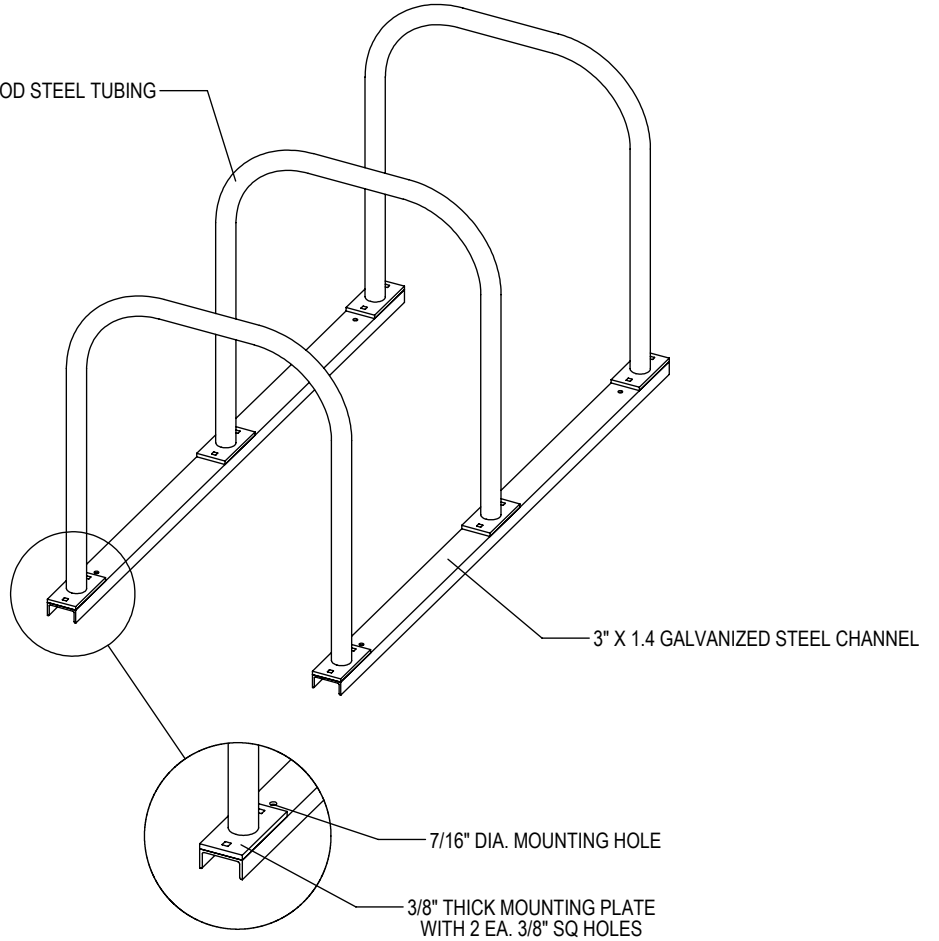


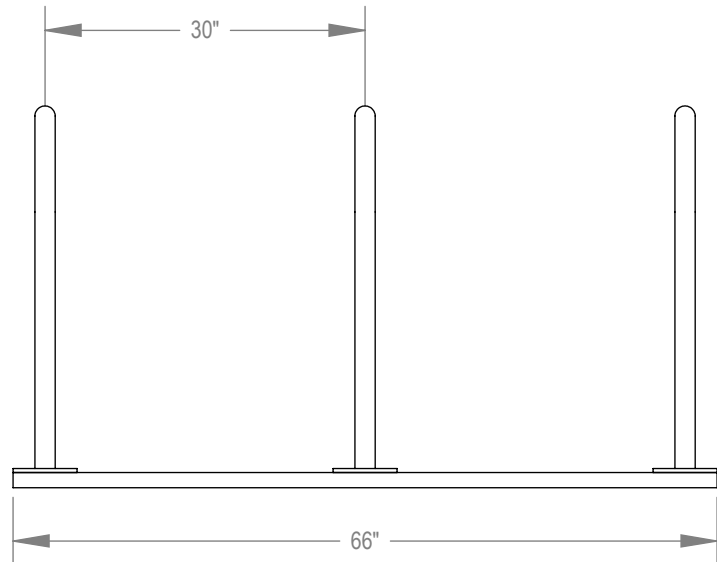
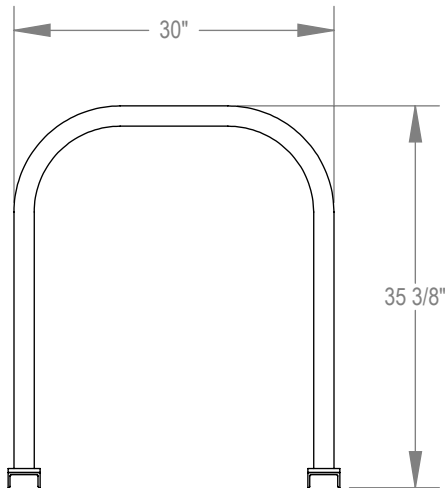
1 7/8" OD STEEL TUBING



3" X 1.4 GALVANIZED STEEL CHANNEL

7/16" DIA. MOUNTING HOLE

3/8" THICK MOUNTING PLATE WITH 2 EA. 3/8" SQ HOLES



PRODUCT: UX190-6
DESCRIPTION: UX190 'U' ON RAIL BIKE RACK
6 BIKE, 3 LOOP, SURFACE
DATE: 8-28-14
ENG: SMC

CONFIDENTIAL DRAWING AND INFORMATION IS NOT TO BE COPIED OR DISCLOSED TO OTHERS WITHOUT THE CONSENT OF GRABER MANUFACTURING, INC. SPECIFICATIONS ARE SUBJECT TO CHANGE WITHOUT NOTICE.

NOTES:

1. INSTALL BIKE RACKS ACCORDING TO MANUFACTURER'S SPECIFICATIONS.
2. CONSULTANT TO SELECT COLOR(FINISH), SEE MANUFACTURER'S SPECIFICATIONS.
3. SEE SITE PLAN FOR LOCATION OR CONSULT OWNER.