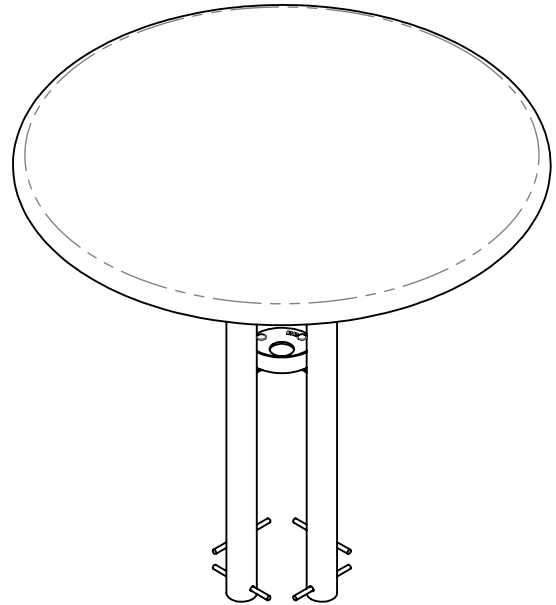


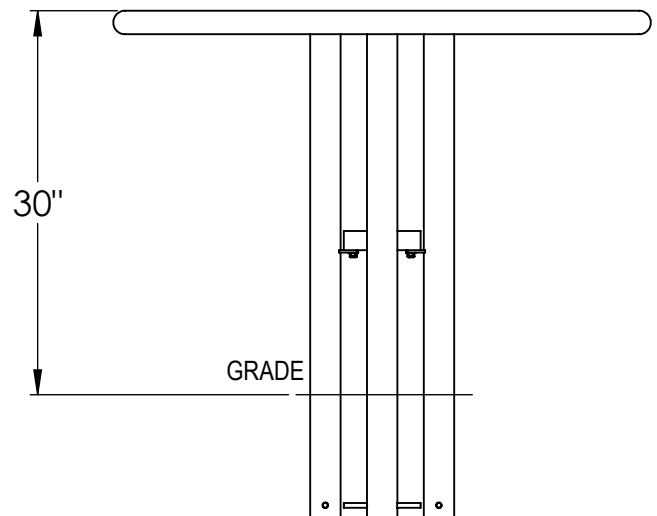
TABLE TOP OPTIONS:

- 36" ROUND SOLID
- 42" ROUND SOLID
- 36" ROUND PERFORATED
- 42" ROUND PERFORATED
- 42" ROUND STAINLESS STEEL
- 42" ROUND ACCOYA
- 42" ROUND RECYCLED PLASTIC
- 42" ROUND IPE
- 42" SQUARE SOLID
- 42" SQUARE STAINLESS
- 42" SQUARE ACCOYA
- 42" SQUARE RECYCLED PLASTIC
- 42" SQUARE IPE



UMBRELLA OPTIONS:

- WITH UMBRELLA



PRODUCT: TBLD-IGI  
DESCRIPTION: INDIVIDUAL DINING HEIGHT TABLE  
IN GROUND

DATE: 7-21-16  
ENG: SMC

CONFIDENTIAL DRAWING AND INFORMATION IS NOT TO BE COPIED OR DISCLOSED TO OTHERS WITHOUT THE CONSENT OF GRABER MANUFACTURING, INC. SPECIFICATIONS ARE SUBJECT TO CHANGE WITHOUT NOTICE.

©2016 GRABER MANUFACTURING, INC. ALL PROPRIETARY RIGHTS RESERVED.

SOME ASSEMBLY REQUIRED

42" ROUND SOLID SHOWN

SITE FURNISHING IS POWDER COATED WITH TGIC POLYESTER. STEEL SURFACE PREP INCLUDES MECHANICAL AND CHEMICAL ETCHING FOLLOWED WITH A COATING TO IMPROVE ADHESION AND CORROSION RESISTANCE.