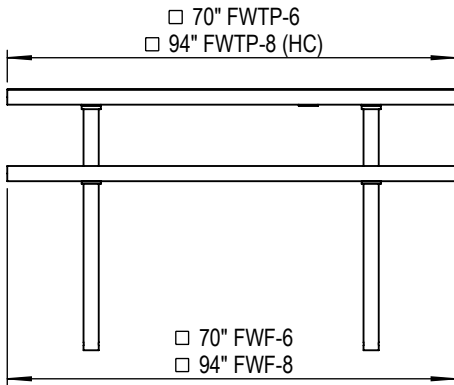
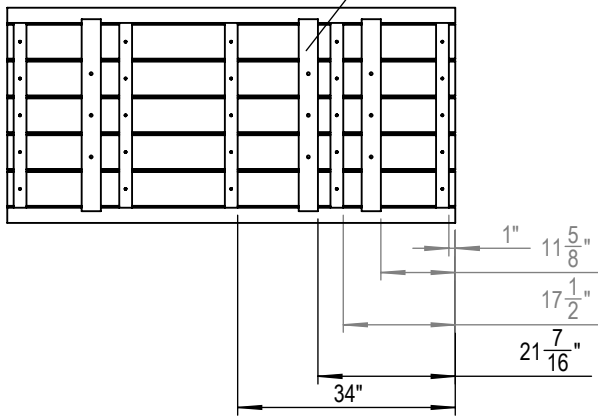
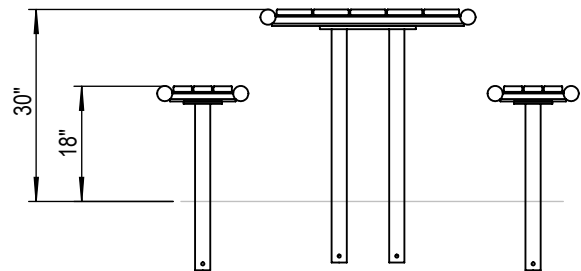
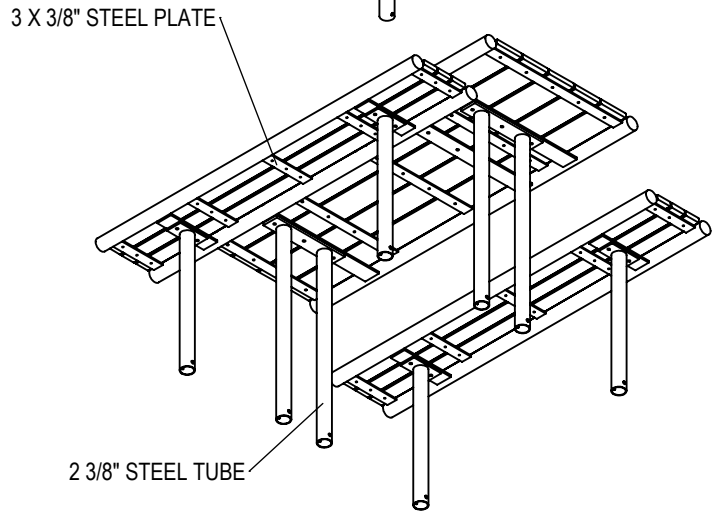
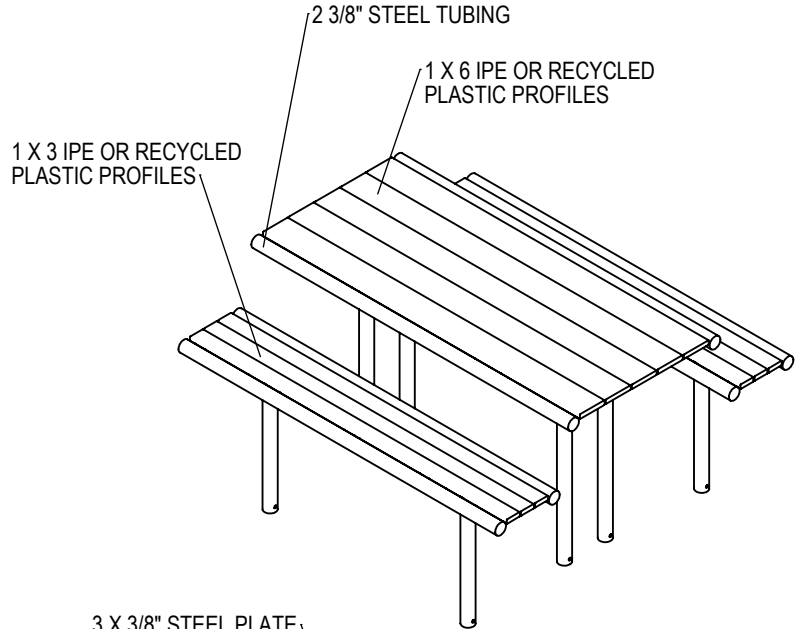


TABLE TOPS INCLUDE A HANDICAP LEG LOCATION FOR ADA SEATING



CHECK SIZE OPTIONS



ASSEMBLY REQUIRED

SITE FURNISHING IS POWDER COATED WITH TGIC POLYESTER. STEEL SURFACE PREP INCLUDES MECHANICAL AND CHEMICAL ETCHING FOLLOWED WITH A COATING TO IMPROVE ADHESION AND CORROSION RESISTANCE.

Product: FWTP-6(8)-IG, FWF-6(8)-IG
DESCRIPTION: TABLE AND FLAT BENCHES, 6 OR 8 FT., IPE OR RECYCLED PLASTIC
DATE: 9-17-14
ENG: SMC

CONFIDENTIAL DRAWING AND INFORMATION IS NOT TO BE COPIED OR DISCLOSED TO OTHERS WITHOUT THE CONSENT OF GRABER MANUFACTURING, INC. SPECIFICATIONS ARE SUBJECT TO CHANGE WITHOUT NOTICE.