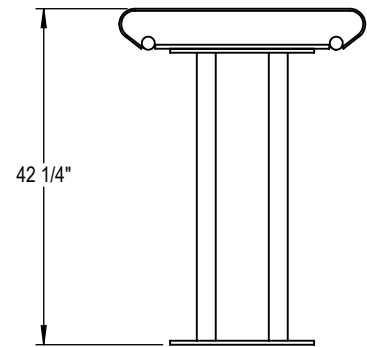
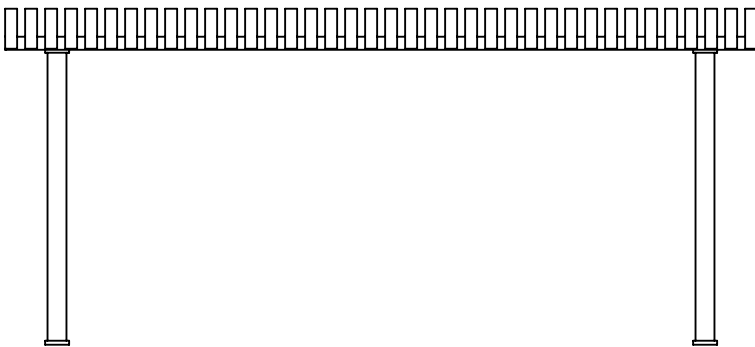
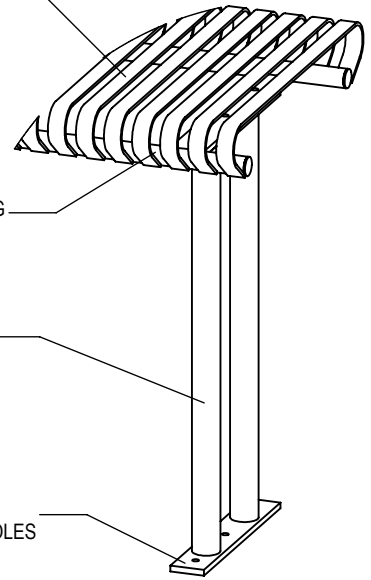


1/4" X 1 1/2" FLAT BAR
 SPACED AT 1" INTERVALS

Ø 1 5/8" TUBING

Ø 2 3/8" TUBING

1/2" X 3" FLAT BAR
 WITH Ø 9/16" MOUNTING HOLES



PRODUCT: CRTPB-8
 DESCRIPTION: CARNIVAL BAR HEIGHT PICNIC TABLE, 8 FT

DATE: 9-2-16
 ENG: SMC

CONFIDENTIAL DRAWING AND INFORMATION IS NOT TO BE COPIED OR DISCLOSED
 TO OTHERS WITHOUT THE CONSENT OF GRABER MANUFACTURING, INC.
 SPECIFICATIONS ARE SUBJECT TO CHANGE WITHOUT NOTICE.

©2016 GRABER MANUFACTURING, INC. ALL PROPRIETARY RIGHTS RESERVED.

ALL FASTENERS ARE STAINLESS STEEL
 SOME ASSEMBLY REQUIRED

SITE FURNISHING IS POWDER COATED WITH TGIC POLYESTER.
 STEEL SURFACE PREP INCLUDES MECHANICAL AND CHEMICAL
 ETCHING FOLLOWED WITH A COATING TO IMPROVE ADHESION
 AND CORROSION RESISTANCE.