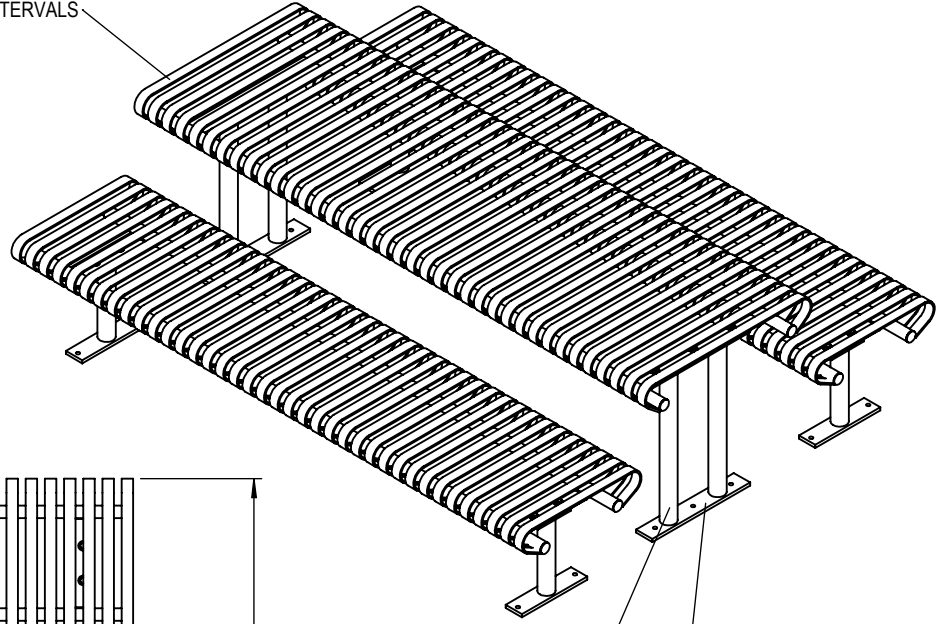


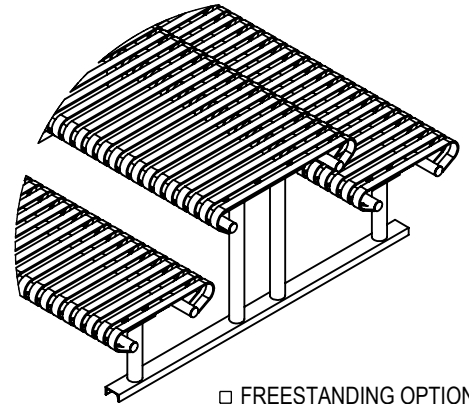


1/4" X 1 1/2" FLAT BAR
SPACED AT 1" INTERVALS

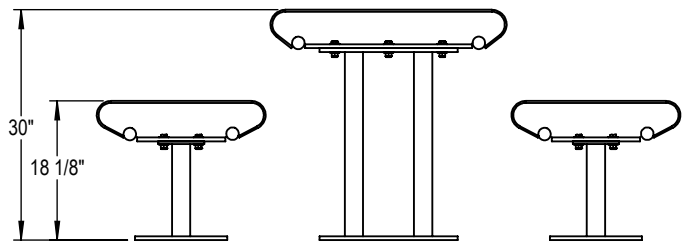
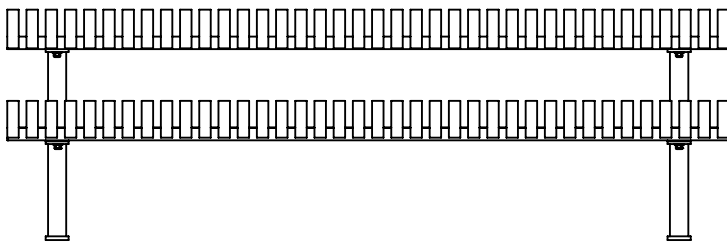
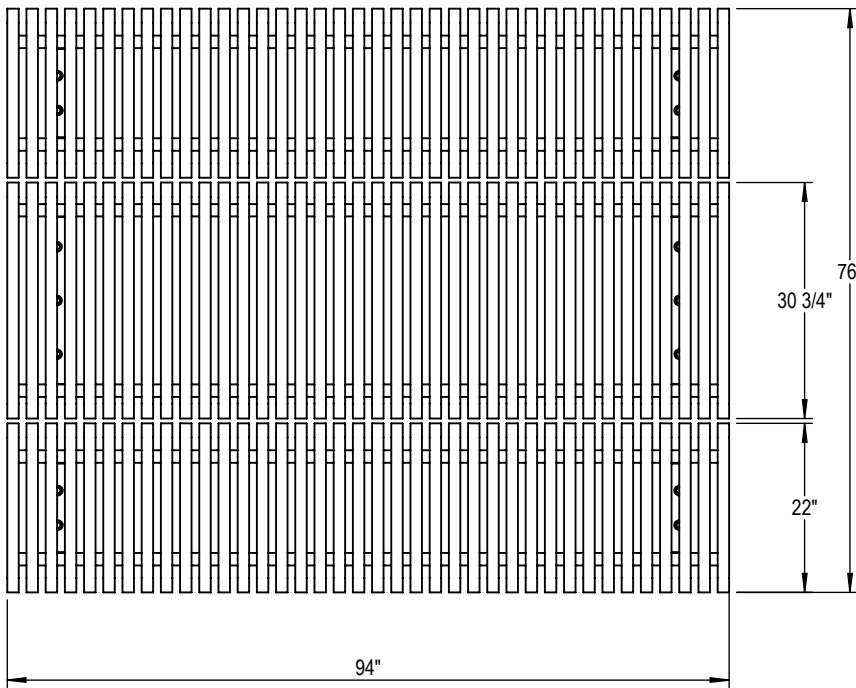


Ø 2 3/8" TUBING

1/2" X 3" FLAT BAR
WITH Ø 9/16" MOUNTING HOLES



□ FREESTANDING OPTION



PRODUCT: CRTP-8S
DESCRIPTION: CARNIVAL PICNIC TABLE SET, 8 FT

DATE: 9-2-16
ENG: SMC

CONFIDENTIAL DRAWING AND INFORMATION IS NOT TO BE COPIED OR DISCLOSED
TO OTHERS WITHOUT THE CONSENT OF GRABER MANUFACTURING, INC.
SPECIFICATIONS ARE SUBJECT TO CHANGE WITHOUT NOTICE.

©2016 GRABER MANUFACTURING, INC. ALL PROPRIETARY RIGHTS RESERVED.

ALL FASTENERS ARE STAINLESS STEEL
SOME ASSEMBLY REQUIRED

SITE FURNISHING IS POWDER COATED WITH TGIC POLYESTER.
STEEL SURFACE PREP INCLUDES MECHANICAL AND CHEMICAL
ETCHING FOLLOWED WITH A COATING TO IMPROVE ADHESION
AND CORROSION RESISTANCE.