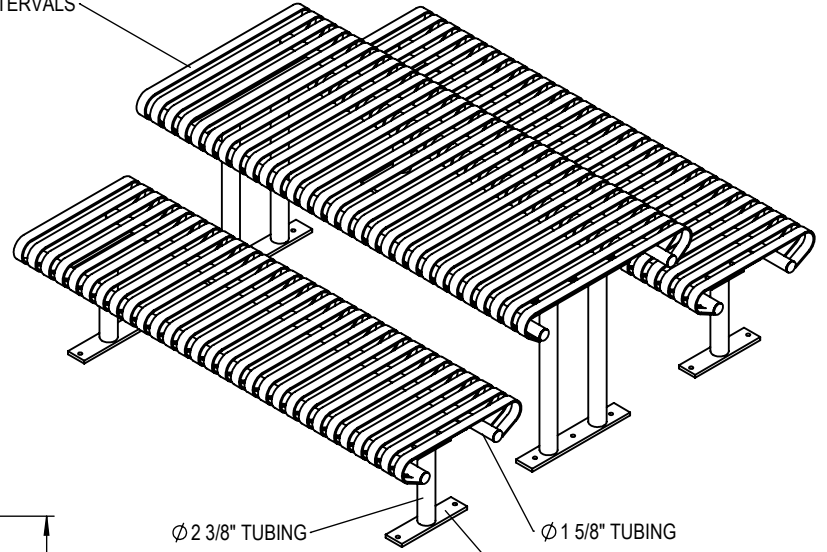


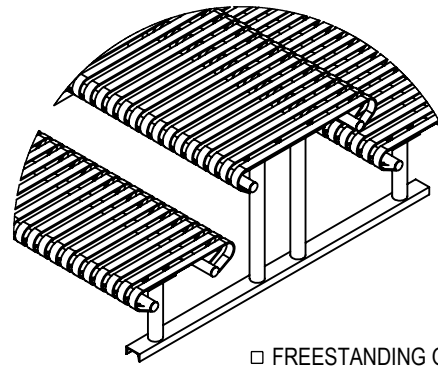
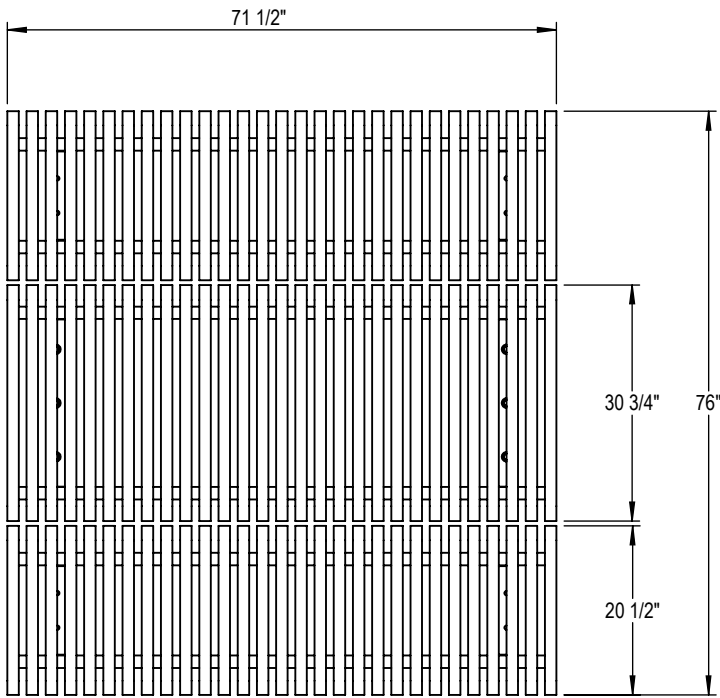
1/4" X 1 1/2" FLAT BAR  
 SPACED AT 1" INTERVALS



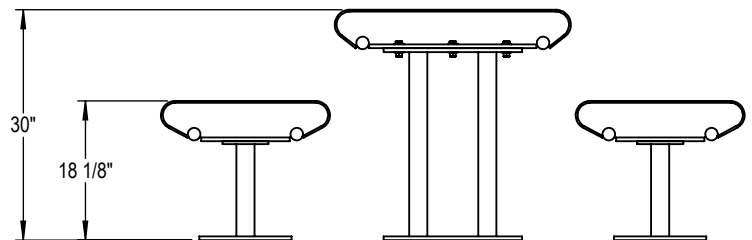
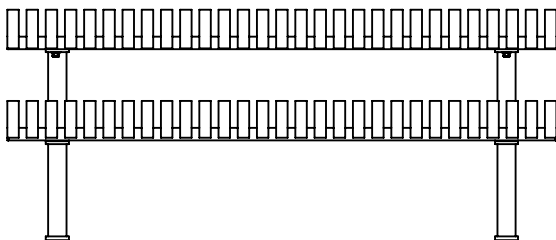
Ø 2 3/8" TUBING

Ø 1 5/8" TUBING

1/2" X 3" X 12" FLAT BAR  
 WITH Ø 9/16" MOUNTING HOLES



□ FREESTANDING OPTION



PRODUCT: CRTP-6S  
 DESCRIPTION: CARNIVAL PICNIC TABLE SET, 6 FT

DATE: 9-2-16  
 ENG: SMC

CONFIDENTIAL DRAWING AND INFORMATION IS NOT TO BE COPIED OR DISCLOSED  
 TO OTHERS WITHOUT THE CONSENT OF GRABER MANUFACTURING, INC.  
 SPECIFICATIONS ARE SUBJECT TO CHANGE WITHOUT NOTICE.

ALL FASTENERS ARE STAINLESS STEEL  
 SOME ASSEMBLY REQUIRED

SITE FURNISHING IS POWDER COATED WITH TGIC POLYESTER.  
 STEEL SURFACE PREP INCLUDES MECHANICAL AND CHEMICAL  
 ETCHING FOLLOWED WITH A COATING TO IMPROVE ADHESION  
 AND CORROSION RESISTANCE.