



THOMAS STEELE DIVISION

GRABER MANUFACTURING, INC.  
1080 UNIEK DRIVE  
WAUNAKEE, WI 53597

P(800) 448-7931, P(608) 849-1080, F(608) 849-1081  
WWW.MADRAX.COM, E-MAIL: SALES@MADRAX.COM

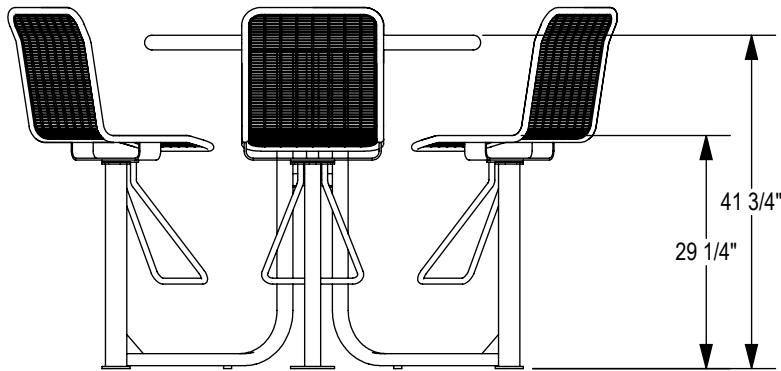
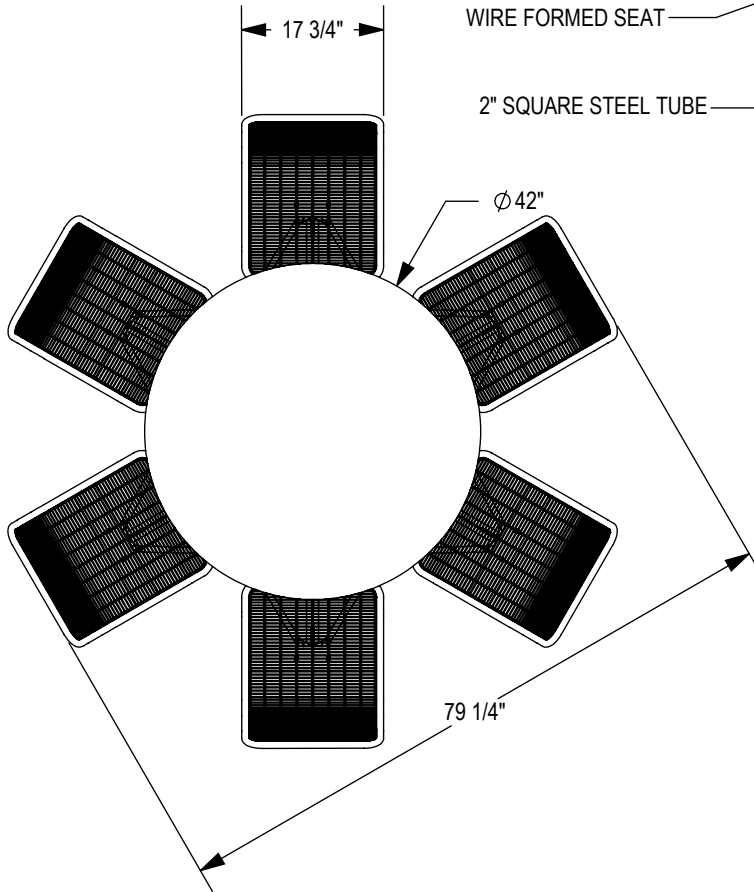
12GA. (.109" WALL)  
SPUN STEEL  
WITH 1 1/2" 'C' ROLLED EDGE

Ø 7/8" STEEL TUBING

WIRE FORMED SEAT

2" SQUARE STEEL TUBE

1 1/2" SQUARE  
STEEL TUBE



PRODUCT: CNTB-6B  
DESCRIPTION: CUNNINGHAM BAR HEIGHT TABLE, 6 BACKED SEATS

DATE: 7-12-16  
ENG: SMC

CONFIDENTIAL DRAWING AND INFORMATION IS NOT TO BE COPIED OR DISCLOSED  
TO OTHERS WITHOUT THE CONSENT OF GRABER MANUFACTURING, INC.  
SPECIFICATIONS ARE SUBJECT TO CHANGE WITHOUT NOTICE.

UMBRELLA HOLE OPTION

ASSEMBLY REQUIRED

SITE FURNISHING IS POWDER COATED WITH TGIC POLYESTER.  
STEEL SURFACE PREP INCLUDES MECHANICAL AND CHEMICAL  
ETCHING FOLLOWED WITH A COATING TO IMPROVE ADHESION  
AND CORROSION RESISTANCE.

©2016 GRABER MANUFACTURING, INC. ALL PROPRIETARY RIGHTS RESERVED.