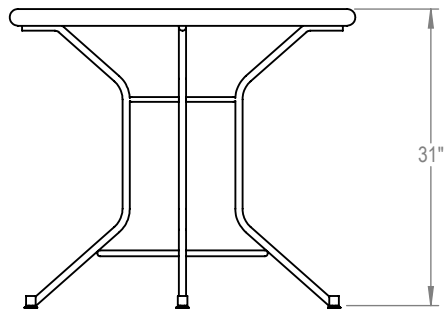
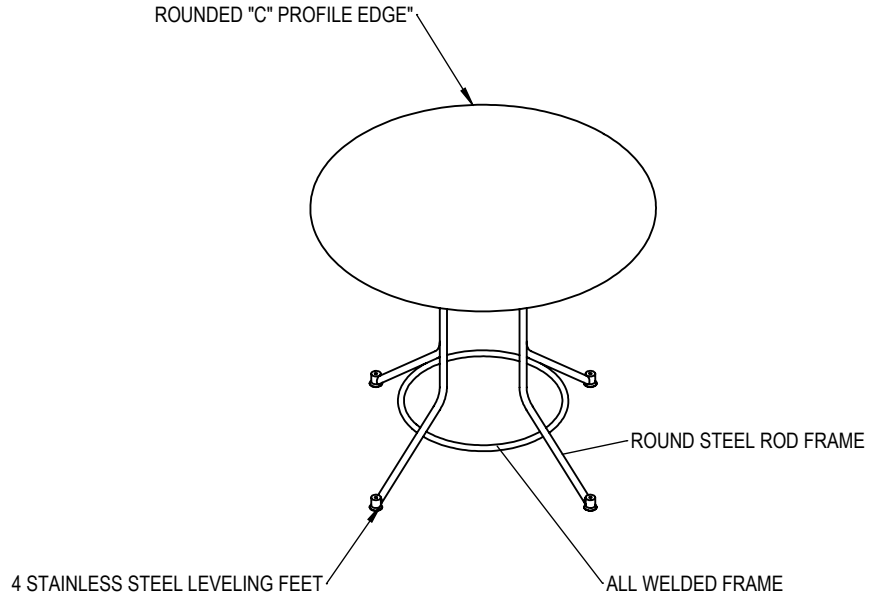
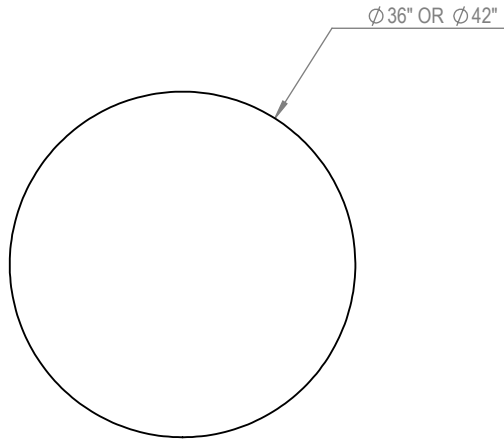




THOMAS STEELE DIVISION
 GRABER MANUFACTURING, INC.
 1080 UNIEK DRIVE
 WAUNAKEE, WI 53597
 P(800) 448-7931, P(608) 849-1080, F(608) 849-1081
 WWW.MADRAX.COM, E-MAIL: SALES@MADRAX.COM



PRODUCT: CFT-P-RD
 DESCRIPTION: CAFE TABLE, 36 OR 42 INCH DIAMETER,
 ROD BASE, ROUND STEEL TOP
 DATE: 9-8-14
 ENG: SMC

- ROUND STEEL TOP
- ROUND STAINLESS STEEL TOP
- ROUND SOLID SURFACE TOP

CONFIDENTIAL DRAWING AND INFORMATION IS NOT TO BE COPIED OR DISCLOSED
 TO OTHERS WITHOUT THE CONSENT OF GRABER MANUFACTURING, INC.
 SPECIFICATIONS ARE SUBJECT TO CHANGE WITHOUT NOTICE.

SITE FURNISHING IS POWDER COATED WITH TGIC POLYESTER.
 STEEL SURFACE PREP INCLUDES MECHANICAL AND CHEMICAL
 ETCHING FOLLOWED WITH A COATING TO IMPROVE ADHESION
 AND CORROSION RESISTANCE.