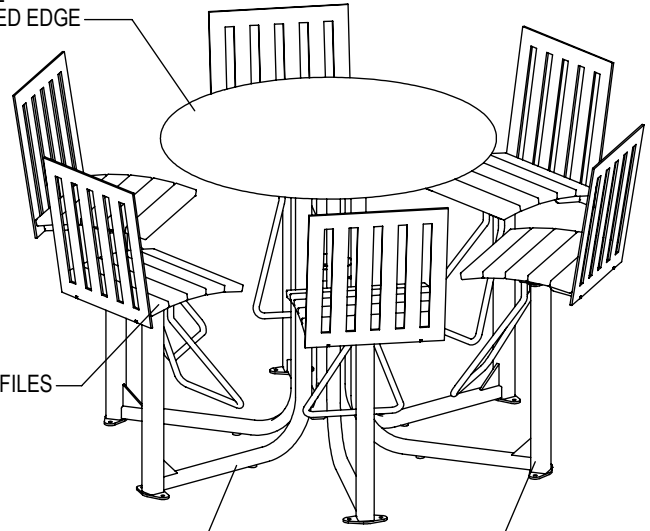


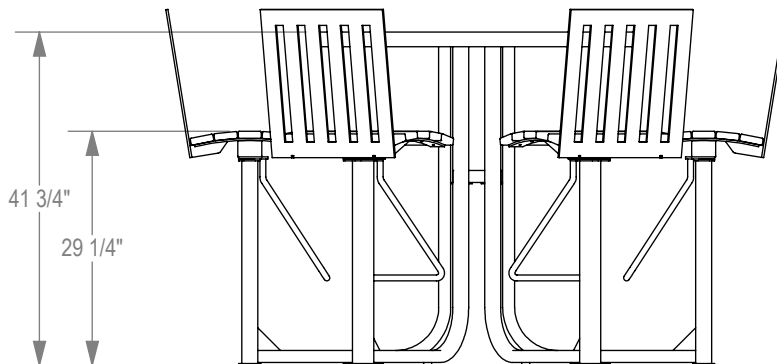
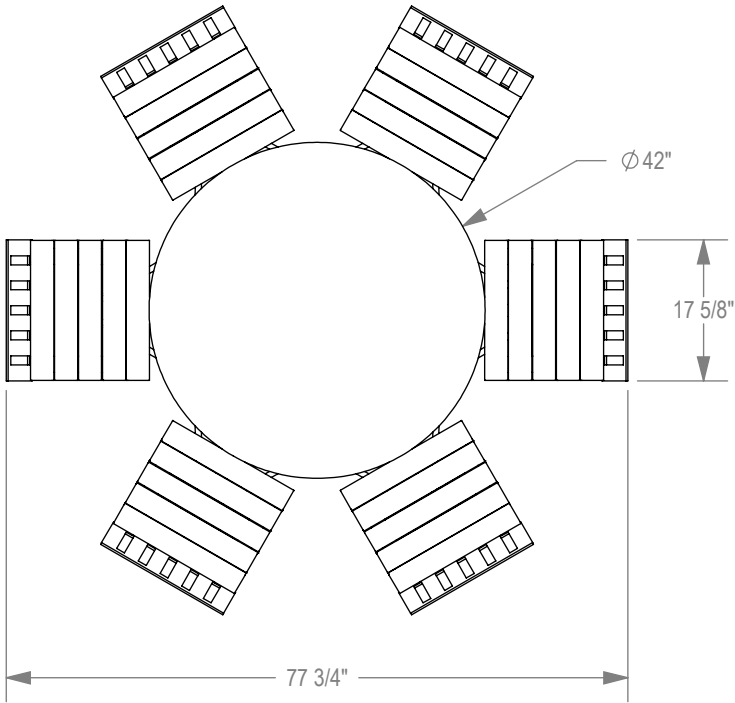
12GA. (.109" WALL)  
SPUN STEEL  
WITH 1 1/2" 'C' ROLLED EDGE



1" X 3" PROFILES

1 1/2" SQUARE STEEL TUBE

2" SQUARE STEEL TUBE



PRODUCT: ASTB-6B  
DESCRIPTION: ASHTON BAR HEIGHT TABLE, 6 BACKED SEATS

DATE: 7-11-16  
ENG: SMC

UMBRELLA HOLE OPTION

ALL FASTENERS ARE STAINLESS STEEL  
SOME ASSEMBLY REQUIRED

CONFIDENTIAL DRAWING AND INFORMATION IS NOT TO BE COPIED OR DISCLOSED  
TO OTHERS WITHOUT THE CONSENT OF GRABER MANUFACTURING, INC.  
SPECIFICATIONS ARE SUBJECT TO CHANGE WITHOUT NOTICE.

SITE FURNISHING IS POWDER COATED WITH TGIC POLYESTER.  
STEEL SURFACE PREP INCLUDES MECHANICAL AND CHEMICAL  
ETCHING FOLLOWED WITH A COATING TO IMPROVE ADHESION  
AND CORROSION RESISTANCE.