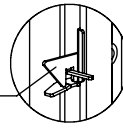
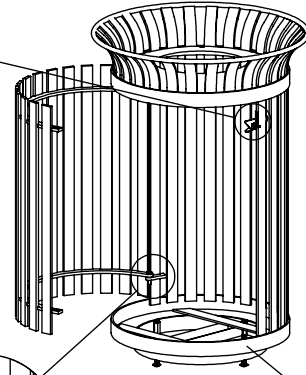


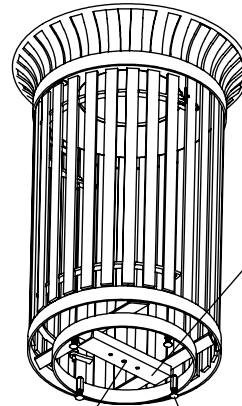
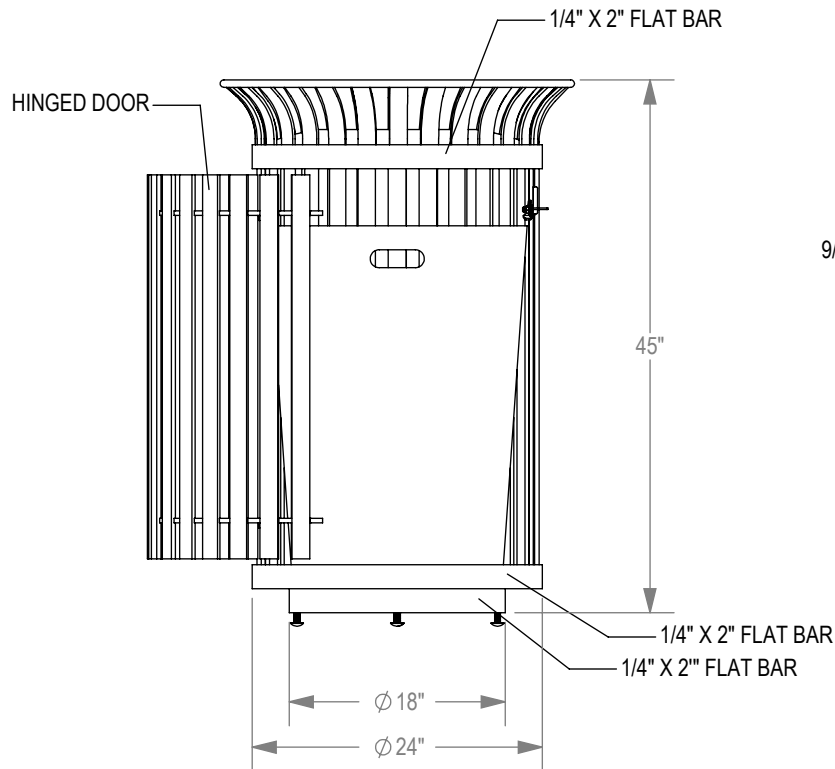
STAINLESS STEEL LATCH MECHANISM WITH OPTIONAL LOCK



2 EA. HINGES WELDED IN PLACE WITH STAINLESS STEEL HARDWARE



16 GA. POWDER COATED STEEL PLATE



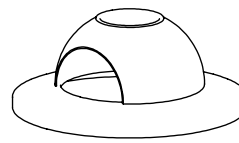
3"x1 1/2" STEEL CHANNEL

9/16" ANCHOR HOLES

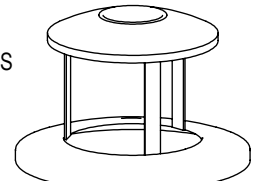
4 EA. 1/2" STAINLESS STEEL LEVELING LEGS

ALL FASTENERS ARE STAINLESS STEEL
38 GALLON PLASTIC LINER INCLUDED
REMOVED FROM ILLUSTRATIONS FOR CLARITY

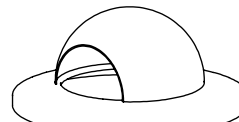
LID OPTIONS



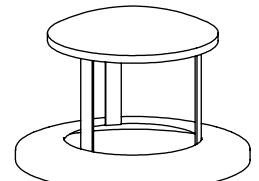
ASH DOME LID



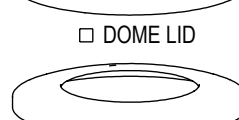
ELEVATED ASH DOME LID



DOME LID



ELEVATED DOME LID



FLAT LID



FLAT RECYCLE LID

PRODUCT: CRTR-38-DOOR
DESCRIPTION: CARNIVAL TRASH RECEPTACLE 38 GALLON, WITH DOOR

DATE: 1-21-15
ENG: SMC

CONFIDENTIAL DRAWING AND INFORMATION IS NOT TO BE COPIED OR DISCLOSED TO OTHERS WITHOUT THE CONSENT OF GRABER MANUFACTURING, INC. SPECIFICATIONS ARE SUBJECT TO CHANGE WITHOUT NOTICE.

©2015 GRABER MANUFACTURING, INC. ALL PROPRIETARY RIGHTS RESERVED.

SITE FURNISHING IS POWDER COATED WITH TGIC POLYESTER. STEEL SURFACE PREP INCLUDES MECHANICAL AND CHEMICAL ETCHING FOLLOWED WITH A COATING TO IMPROVE ADHESION AND CORROSION RESISTANCE.