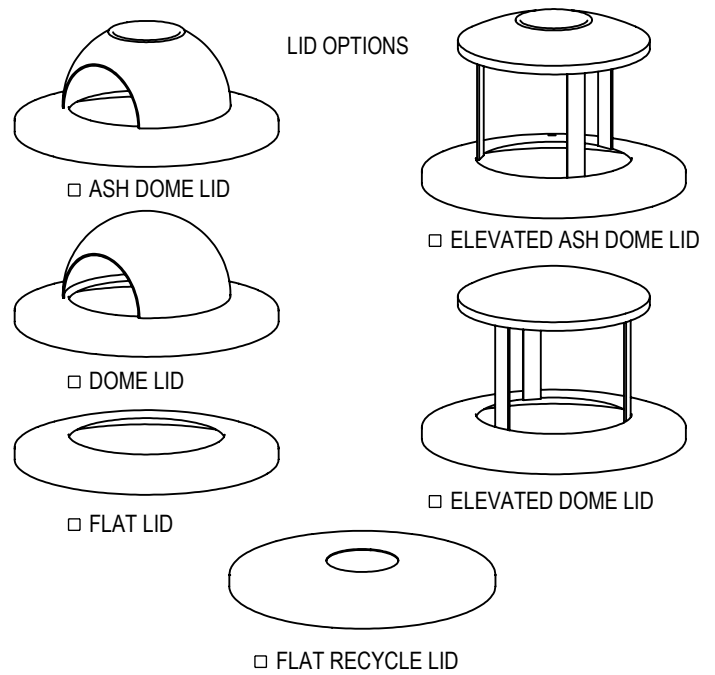
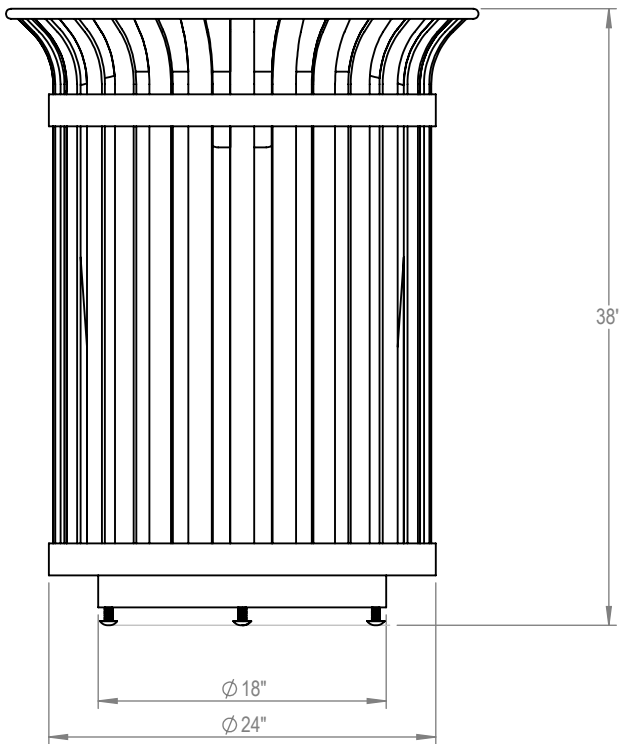
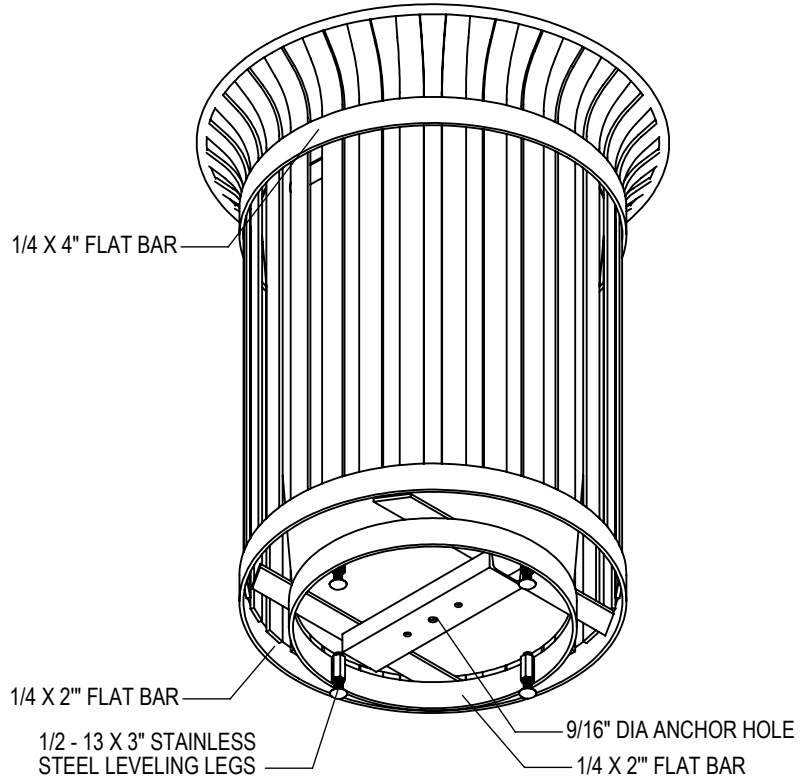
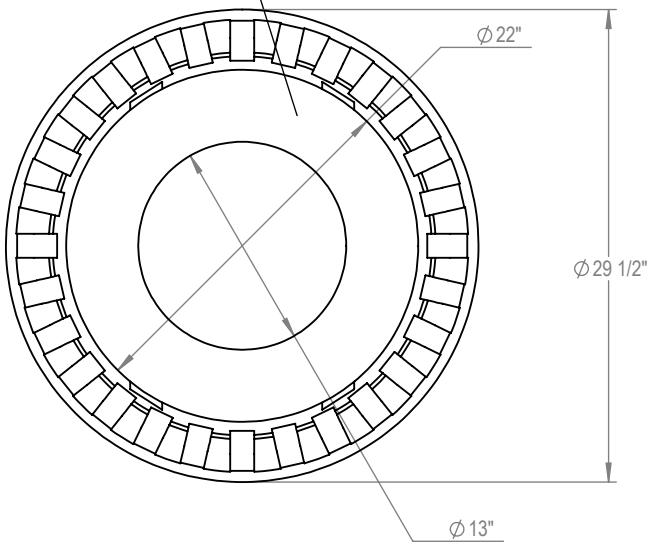


22" DIA. 14 GAUGE FLAT LID  
WITH 13" OPENNING



PRODUCT: CRTR-38  
DESCRIPTION: CARNIVAL TRASH RECEPTACLE 38 GAL.

DATE: 1-21-15  
ENG: SMC

CONFIDENTIAL DRAWING AND INFORMATION IS NOT TO BE COPIED OR DISCLOSED TO OTHERS WITHOUT THE CONSENT OF GRABER MANUFACTURING, INC. SPECIFICATIONS ARE SUBJECT TO CHANGE WITHOUT NOTICE.

TRASH LIDS ARE ATTACHED WITH 2 EA. 5/16 DIA. VINYL COATED AIRCRAFT CABLE. PLASTIC LINER INCLUDED.

SITE FURNISHING IS POWDER COATED WITH TGIC POLYESTER. STEEL SURFACE PREP INCLUDES MECHANICAL AND CHEMICAL ETCHING FOLLOWED WITH A COATING TO IMPROVE ADHESION AND CORROSION RESISTANCE.