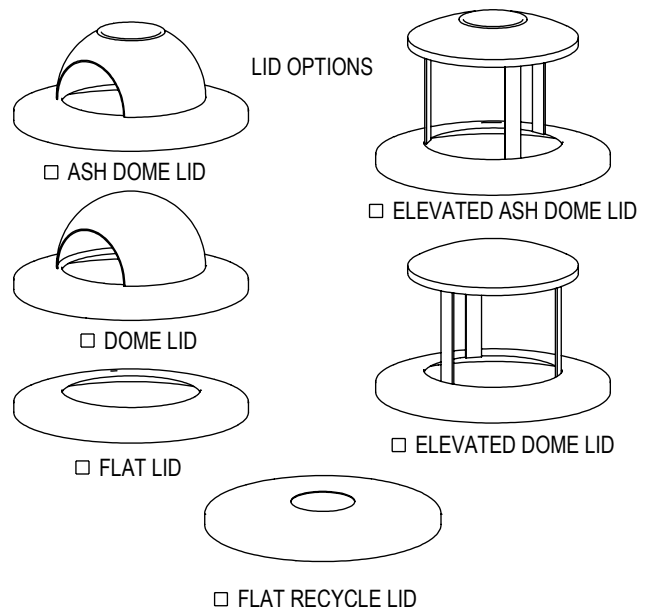


ALL FASTENERS ARE STAINLESS STEEL  
32 GALLON PLASTIC LINER INCLUDED  
REMOVED FROM ILLUSTRATIONS FOR CLARITY



PRODUCT: CRTR-32-DOOR  
DESCRIPTION: CARNIVAL TRASH RECEPTACLE 32 GALLON, WITH DOOR

DATE: 1-21-15  
ENG: SMC

CONFIDENTIAL DRAWING AND INFORMATION IS NOT TO BE COPIED OR DISCLOSED TO OTHERS WITHOUT THE CONSENT OF GRABER MANUFACTURING, INC. SPECIFICATIONS ARE SUBJECT TO CHANGE WITHOUT NOTICE.

©2015 GRABER MANUFACTURING, INC. ALL PROPRIETARY RIGHTS RESERVED.

SITE FURNISHING IS POWDER COATED WITH TGIC POLYESTER. STEEL SURFACE PREP INCLUDES MECHANICAL AND CHEMICAL ETCHING FOLLOWED WITH A COATING TO IMPROVE ADHESION AND CORROSION RESISTANCE.