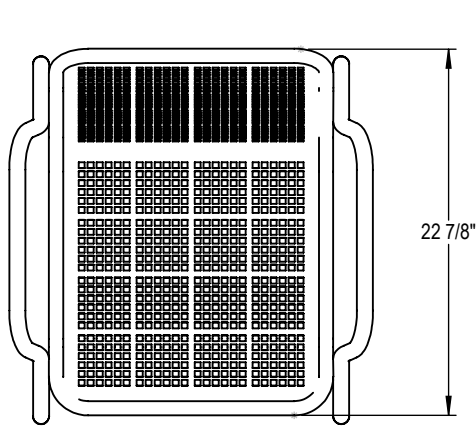




THOMAS STEELE DIVISION
GRABER MANUFACTURING, INC.
1080 UNIEK DRIVE
WAUNAKEE, WI 53597
P(800) 448-7931, P(608) 849-1080, F(608) 849-1081
WWW.MADRAX.COM, E-MAIL: SALES@MADRAX.COM

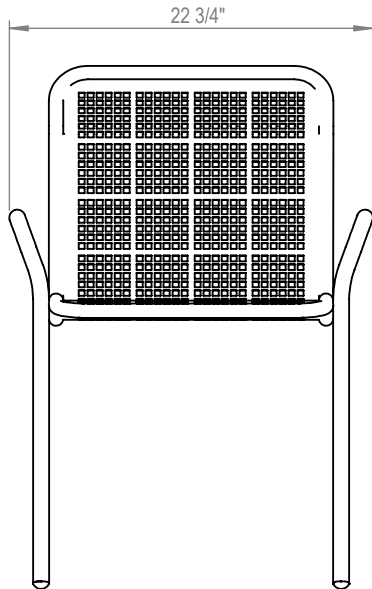
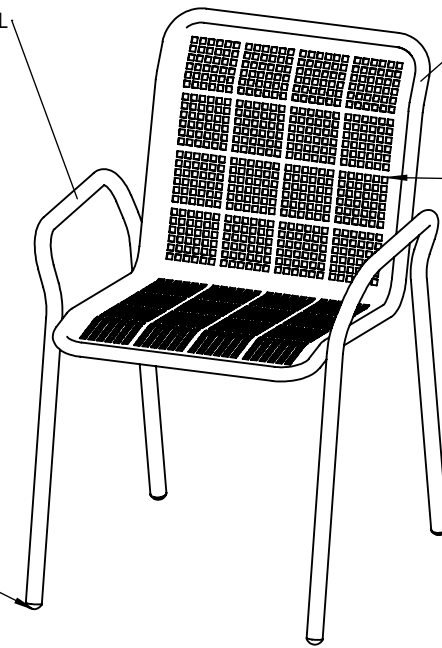


1" ROUND TUBULAR STEEL

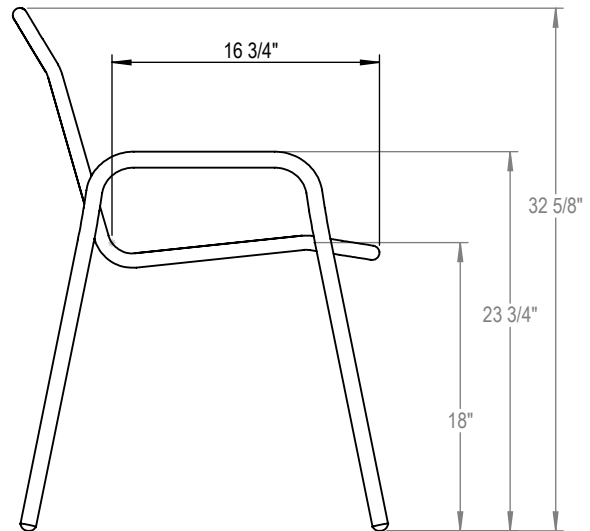
7/8" TUBULAR STEEL

PERFORATED STEEL SEAT

NYLON GLIDE



22 3/4"



16 3/4"

32 5/8"

23 3/4"

18"

PRODUCT: CFC-PMA
DESCRIPTION: CHAIR PERFORATED METAL WITH ARMS

DATE: 5-7-13
ENG: SMC

CONFIDENTIAL DRAWING AND INFORMATION IS NOT TO BE COPIED OR DISCLOSED TO OTHERS WITHOUT THE CONSENT OF GRABER MANUFACTURING, INC. SPECIFICATIONS ARE SUBJECT TO CHANGE WITHOUT NOTICE.

SITE FURNISHING IS POWDER COATED WITH TGIC POLYESTER. STEEL SURFACE PREP INCLUDES MECHANICAL AND CHEMICAL ETCHING FOLLOWED WITH A COATING TO IMPROVE ADHESION AND CORROSION RESISTANCE.

©2013 GRABER MANUFACTURING, INC. ALL PROPRIETARY RIGHTS RESERVED.