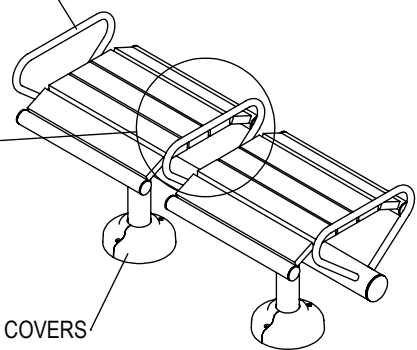


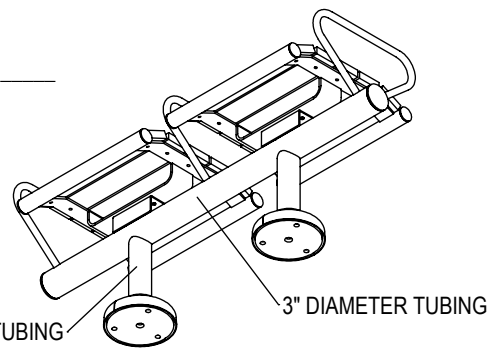
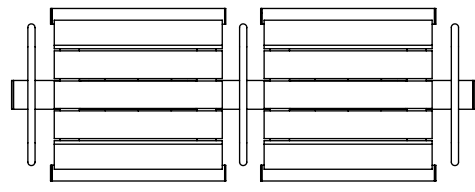
RECYCLED PLASTIC  
OR IPE WOOD

3/4" ROUND STEEL ROD

DIE CAST GROUT COVERS

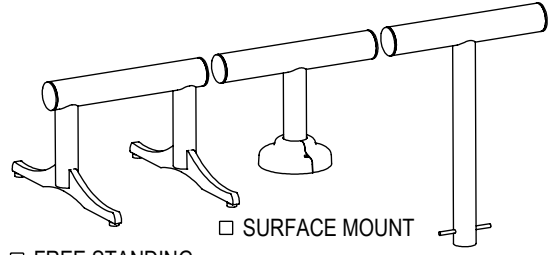
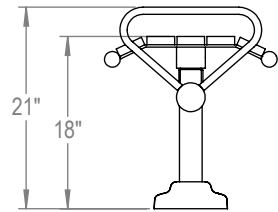
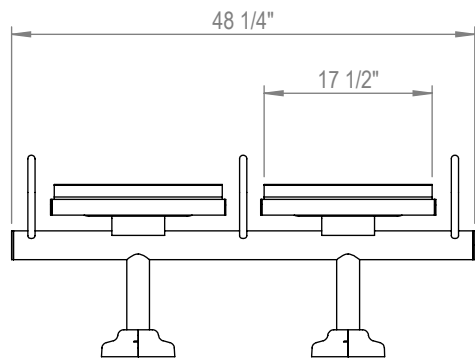


ARM OPTION - SPECIFY  
NUMBER OF ARMS DESIRED \_\_\_\_\_



2 3/8" DIAMETER TUBING

3" DIAMETER TUBING



FREE STANDING

SURFACE MOUNT

IN GROUND

CHECK DESIRED MOUNT

PRODUCT: GRMF-2  
 DESCRIPTION: GRAMERCY FLAT MODULAR BENCH,  
 2 SEAT  
 DATE: 6-14-16  
 ENG: SMC

ALL FASTENERS ARE STAINLESS STEEL  
 SOME ASSEMBLY REQUIRED

SITE FURNISHING IS POWDER COATED WITH TGIC POLYESTER.  
 STEEL SURFACE PREP INCLUDES MECHANICAL AND CHEMICAL  
 ETCHING FOLLOWED WITH A COATING TO IMPROVE ADHESION  
 AND CORROSION RESISTANCE.

CONFIDENTIAL DRAWING AND INFORMATION IS NOT TO BE COPIED OR DISCLOSED  
 TO OTHERS WITHOUT THE CONSENT OF GRABER MANUFACTURING, INC.  
 SPECIFICATIONS ARE SUBJECT TO CHANGE WITHOUT NOTICE.