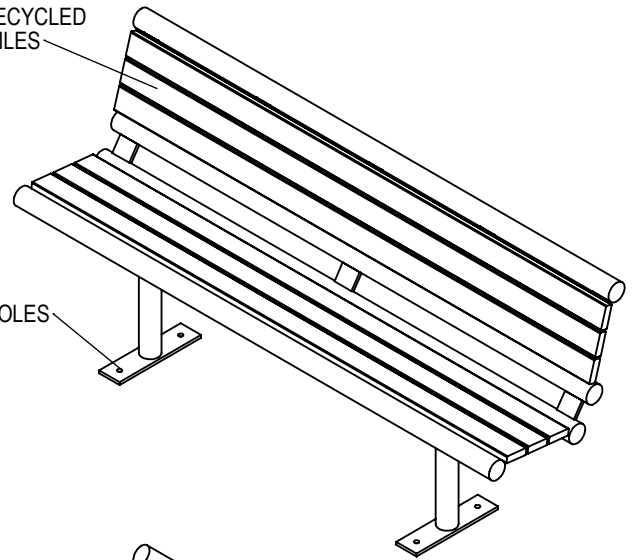
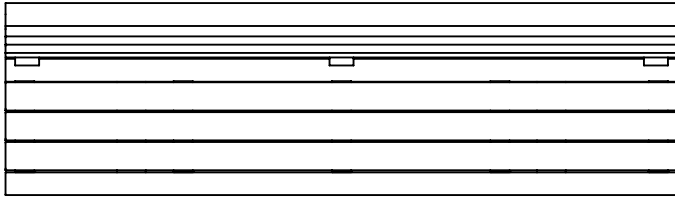


1 X 3 IPE OR RECYCLED
PLASTIC PROFILES

ANCHOR HOLES

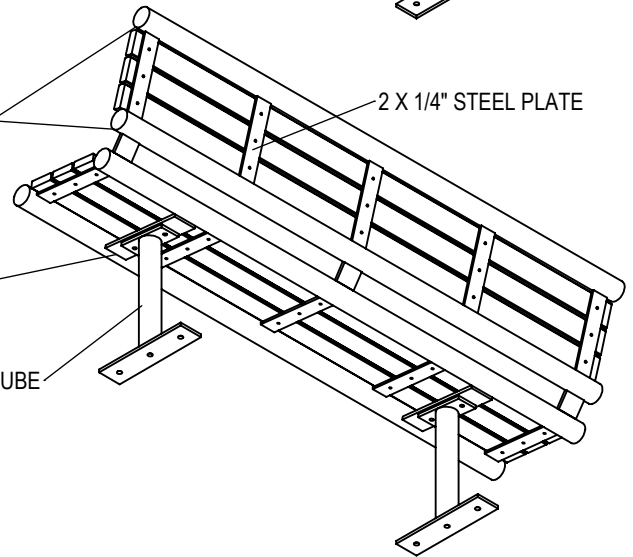


2 3/8" STEEL TUBING

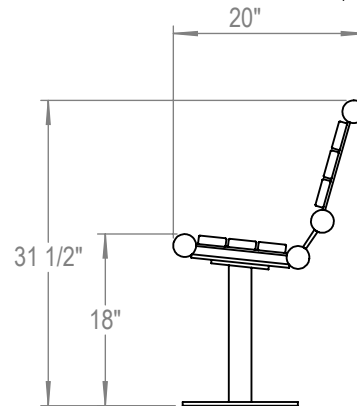
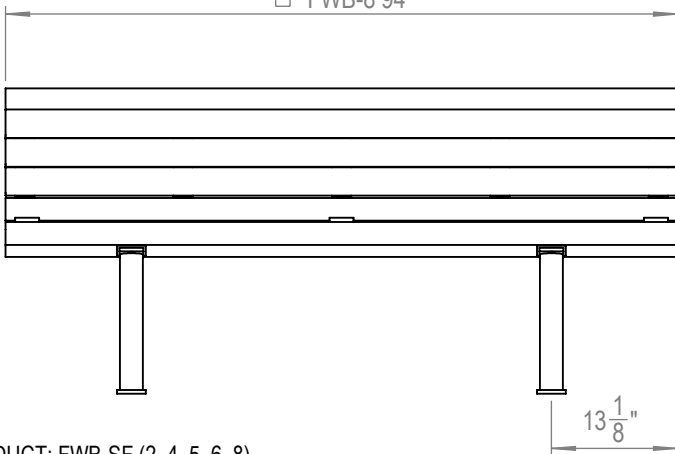
2 X 1/4" STEEL PLATE

3 X 3/8" STEEL PLATE

2 3/8" STEEL TUBE



- FWB-2 24"
- FWB-4 48"
- FWB-5 60"
- FWB-6 70"
- FWB-8 94"



PRODUCT: FWB-SF (2, 4, 5, 6, 8)
DESCRIPTION: FAIRWAY BENCH, SURFACE MOUNT, IPE OR RECYCLED PLASTIC

DATE: 6-19-14
ENG: SMC

ALL FASTENERS STAINLESS STEEL
SOME ASSEMBLY REQUIRED

CONFIDENTIAL DRAWING AND INFORMATION IS NOT TO BE COPIED OR DISCLOSED
TO OTHERS WITHOUT THE CONSENT OF GRABER MANUFACTURING, INC.
SPECIFICATIONS ARE SUBJECT TO CHANGE WITHOUT NOTICE.

SITE FURNISHING IS POWDER COATED WITH TGIC POLYESTER.
STEEL SURFACE PREP INCLUDES MECHANICAL AND CHEMICAL
ETCHING FOLLOWED WITH A COATING TO IMPROVE ADHESION
AND CORROSION RESISTANCE.