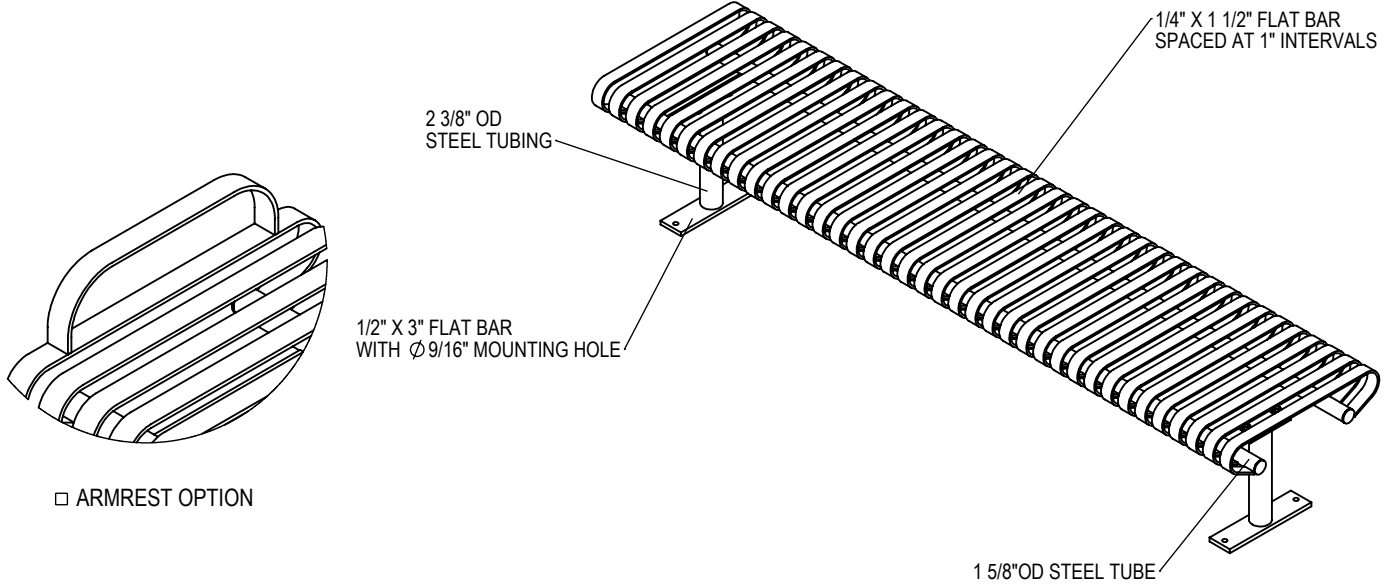
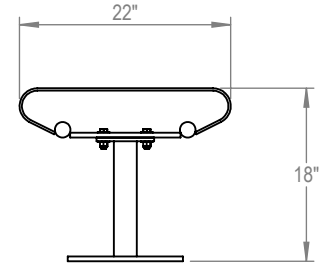
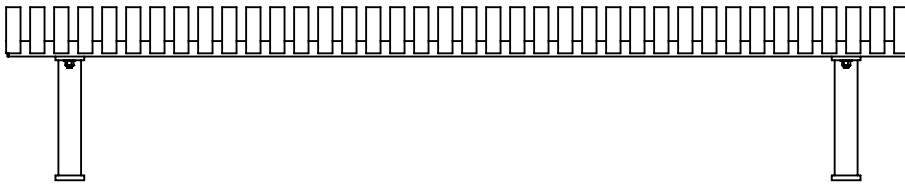




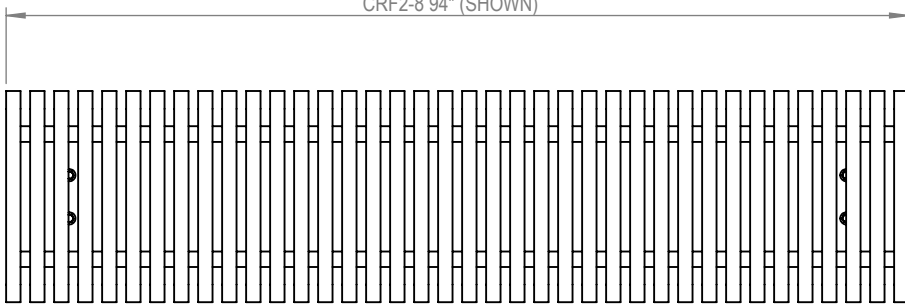
THOMAS STEELE DIVISION  
 GRABER MANUFACTURING, INC.  
 1080 UNIEK DRIVE  
 WAUNAKEE, WI 53597  
 P(800) 448-7931, P(608) 849-1080, F(608) 849-1081  
 WWW.MADRAX.COM, E-MAIL: SALES@MADRAX.COM



□ ARMREST OPTION



CRF2-2 25"  
 CRF2-4 48"  
 CRF2-5 60"  
 CRF2-6 70"  
 CRF2-8 94" (SHOWN)



PRODUCT: CRF2 (2, 4, 5, 6, 8)  
 DESCRIPTION: CARNIVAL FLAT BENCH II

DATE: 1-22-15  
 ENG: SMC

ALL FASTENERS ARE STAINLESS STEEL  
 SOME ASSEMBLY REQUIRED

CONFIDENTIAL DRAWING AND INFORMATION IS NOT TO BE COPIED OR DISCLOSED TO OTHERS WITHOUT THE CONSENT OF GRABER MANUFACTURING, INC. SPECIFICATIONS ARE SUBJECT TO CHANGE WITHOUT NOTICE.

SITE FURNISHING IS POWDER COATED WITH TGIC POLYESTER. STEEL SURFACE PREP INCLUDES MECHANICAL AND CHEMICAL ETCHING FOLLOWED WITH A COATING TO IMPROVE ADHESION AND CORROSION RESISTANCE.

©2015 GRABER MANUFACTURING, INC. ALL PROPRIETARY RIGHTS RESERVED.