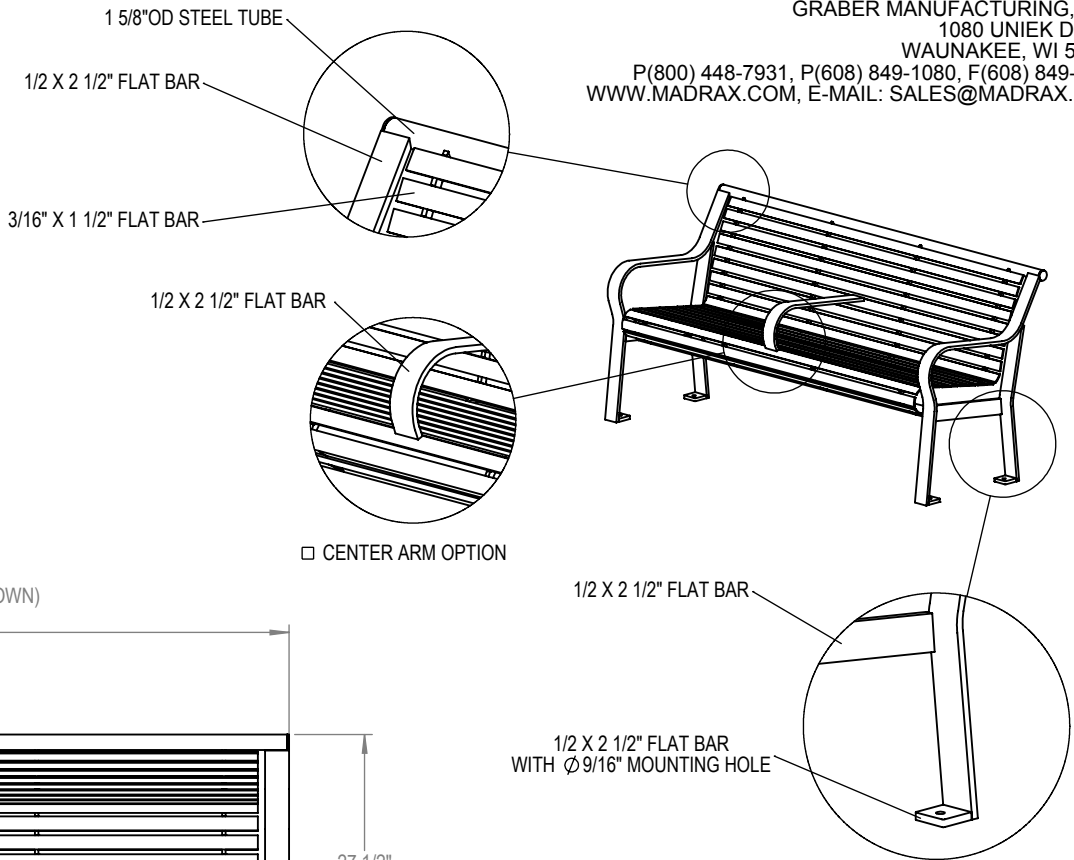




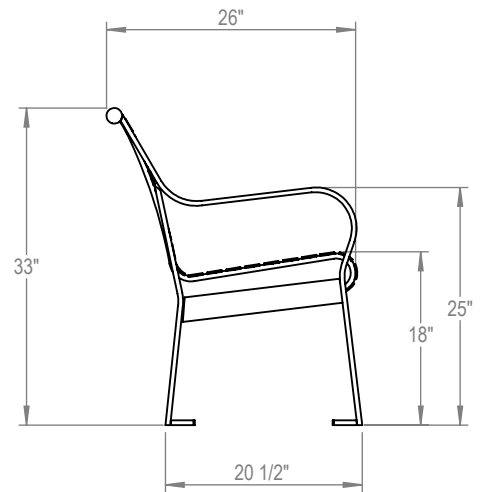
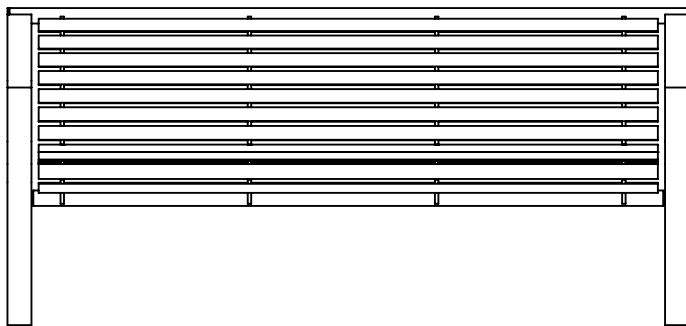
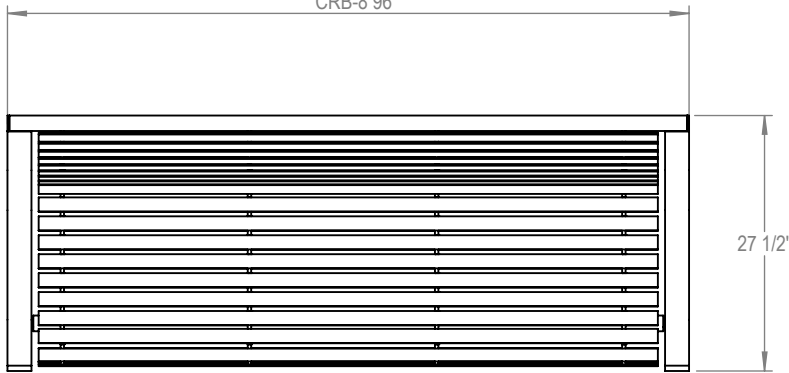
THOMAS STEELE DIVISION

GRABER MANUFACTURING, INC.
1080 UNIEK DRIVE
WAUNAKEE, WI 53597

P(800) 448-7931, P(608) 849-1080, F(608) 849-1081
WWW.MADRAX.COM, E-MAIL: SALES@MADRAX.COM



CRB-2 26"
CRB-4 49"
CRB-5 61"
CRB-6 71" (SHOWN)
CRB-8 96"



□ VERTICAL STRAP OPTION ALSO AVAILABLE

PRODUCT: CRBH-6(2,4,5,8)
DESCRIPTION: CARNIVAL BENCH, HORIZONTAL STRAP

DATE: 6-12-13
ENG: SMC



ALL STEEL SHALL RECEIVE THOMAS STEELE'S UNIQUE E-STEEL™ TRI-COAT FINISH. ALL STEEL PARTS SHALL BE SHOTBLASTED, ZINC PHOSPHATIZED, EPOXY E-COAT DIPPED AND TOP COATED WITH ELECTROSTATICALLY APPLIED TGIC POLYESTER POWDER COAT FINISH. ZINC PHOSPHATE AND EPOXY E-COATING SHALL FILL ALL CREVICES. PARTS SHALL HAVE A MAXIMUM FILM BUILD OF 6 MILS TO REDUCE CHIPPING AND SCRATCHING. E-STEEL™ FINISH SHALL HAVE A 5 YEAR WARRANTY.

SITE FURNISHING IS POWDER COATED WITH TGIC POLYESTER. STEEL SURFACE PREP INCLUDES MECHANICAL AND CHEMICAL ETCHING FOLLOWED WITH A COATING TO IMPROVE ADHESION AND CORROSION RESISTANCE.

CONFIDENTIAL DRAWING AND INFORMATION IS NOT TO BE COPIED OR DISCLOSED TO OTHERS WITHOUT THE CONSENT OF GRABER MANUFACTURING, INC. SPECIFICATIONS ARE SUBJECT TO CHANGE WITHOUT NOTICE.

©2013 GRABER MANUFACTURING, INC. ALL PROPRIETARY RIGHTS RESERVED.