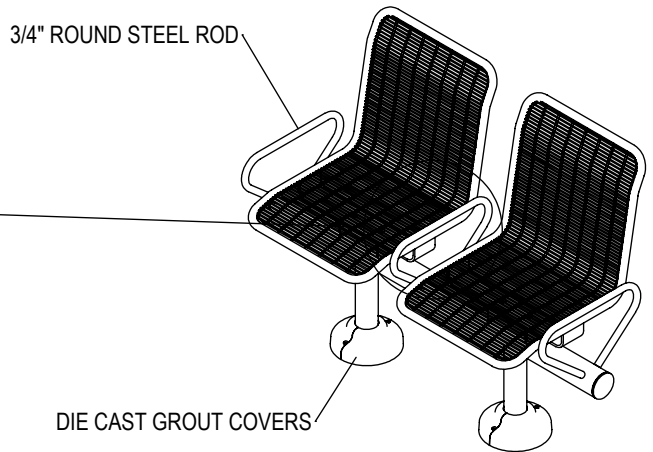


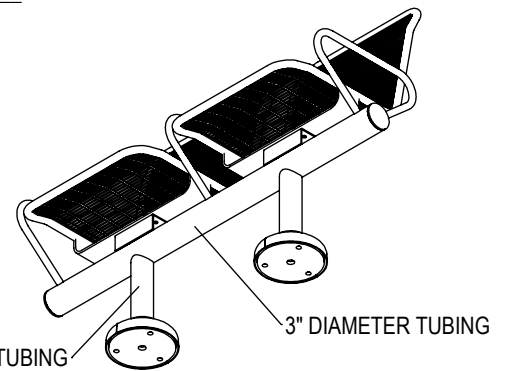
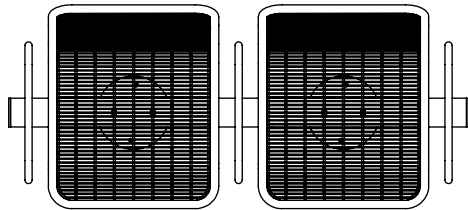
WIRE MESH DETAIL



3/4" ROUND STEEL ROD

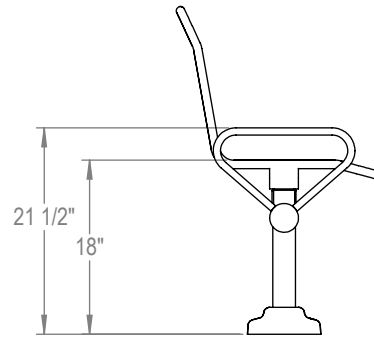
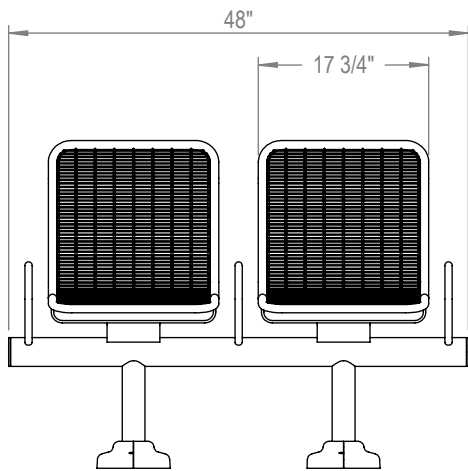
DIE CAST GROUT COVERS

ARM OPTION - SPECIFY
 NUMBER OF ARMS DESIRED _____



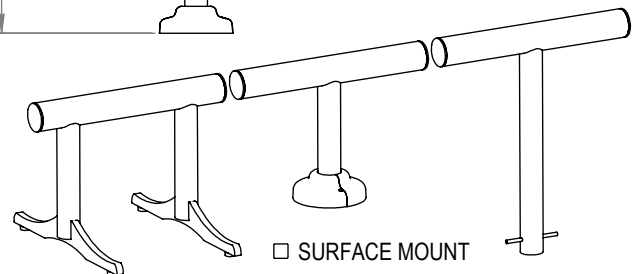
2 3/8" DIAMETER TUBING

3" DIAMETER TUBING



21 1/2"

18"



FREE STANDING

SURFACE MOUNT

IN GROUND

CHECK DESIRED MOUNT

PRODUCT: CNMB-2
 DESCRIPTION: CUNNINGHAM BACKED MODULAR BENCH,
 2 SEAT

DATE: 10-6-15
 ENG: SMC

ALL FASTENERS ARE STAINLESS STEEL
 SOME ASSEMBLY REQUIRED

CONFIDENTIAL DRAWING AND INFORMATION IS NOT TO BE COPIED OR DISCLOSED
 TO OTHERS WITHOUT THE CONSENT OF GRABER MANUFACTURING, INC.
 SPECIFICATIONS ARE SUBJECT TO CHANGE WITHOUT NOTICE.

SITE FURNISHING IS POWDER COATED WITH TGIC POLYESTER.
 STEEL SURFACE PREP INCLUDES MECHANICAL AND CHEMICAL
 ETCHING FOLLOWED WITH A COATING TO IMPROVE ADHESION
 AND CORROSION RESISTANCE.