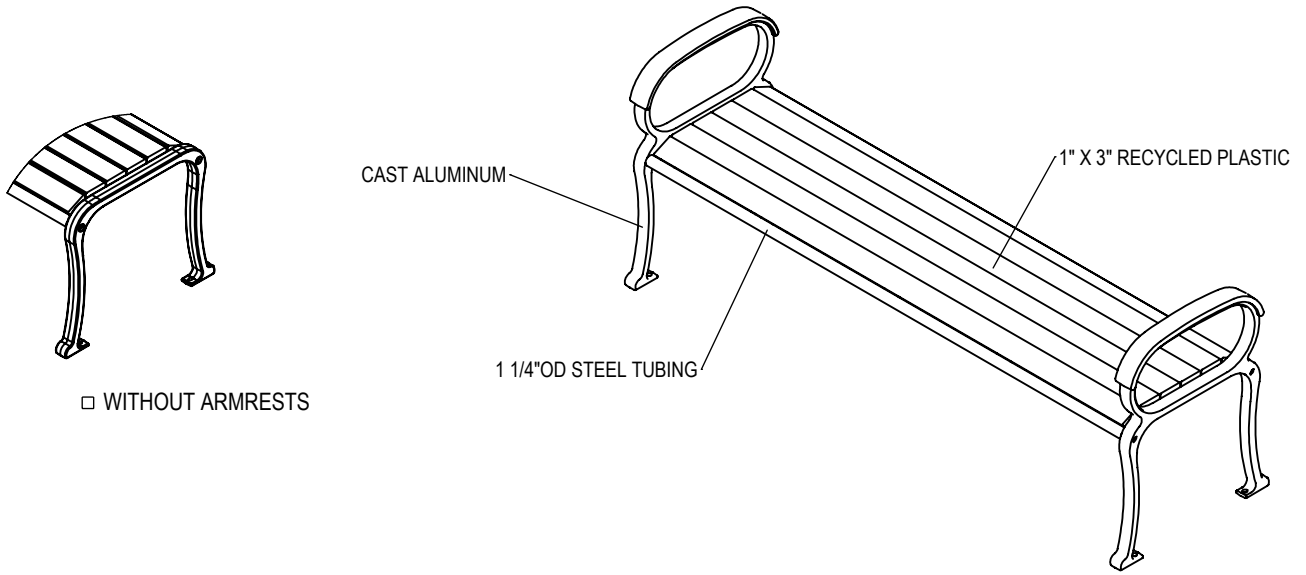
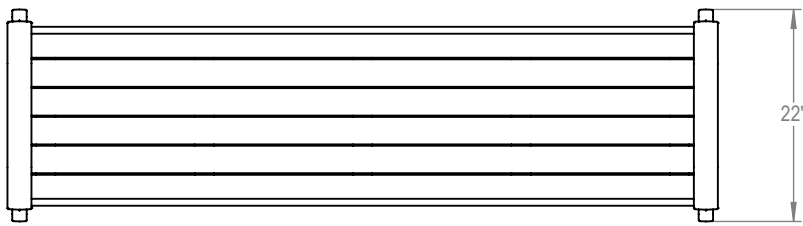




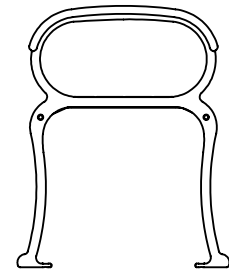
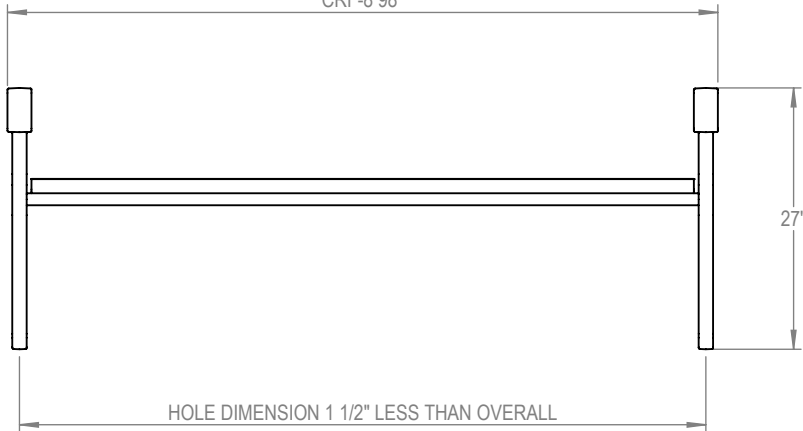
THOMAS STEELE DIVISION  
 GRABER MANUFACTURING, INC.  
 1080 UNIEK DRIVE  
 WAUNAKEE, WI 53597  
 P(800) 448-7931, P(608) 849-1080, F(608) 849-1081  
 WWW.MADRAX.COM, E-MAIL: SALES@MADRAX.COM



□ WITHOUT ARMRESTS



CRF-2 25"  
 CRF-4 51"  
 CRF-5 61"  
 CRF-6 74" (SHOWN)  
 CRF-8 98"



PRODUCT: CNF-RP  
 DESCRIPTION: CUNNINGHAM FLAT BENCH, RECYCLED PLASTIC

DATE: 1-22-15  
 ENG: SMC

ALL FASTENERS ARE STAINLESS STEEL  
 SOME ASSEMBLY REQUIRED

CONFIDENTIAL DRAWING AND INFORMATION IS NOT TO BE COPIED OR DISCLOSED TO OTHERS WITHOUT THE CONSENT OF GRABER MANUFACTURING, INC. SPECIFICATIONS ARE SUBJECT TO CHANGE WITHOUT NOTICE.

SITE FURNISHING IS POWDER COATED WITH TGIC POLYESTER. STEEL SURFACE PREP INCLUDES MECHANICAL AND CHEMICAL ETCHING FOLLOWED WITH A COATING TO IMPROVE ADHESION AND CORROSION RESISTANCE.