

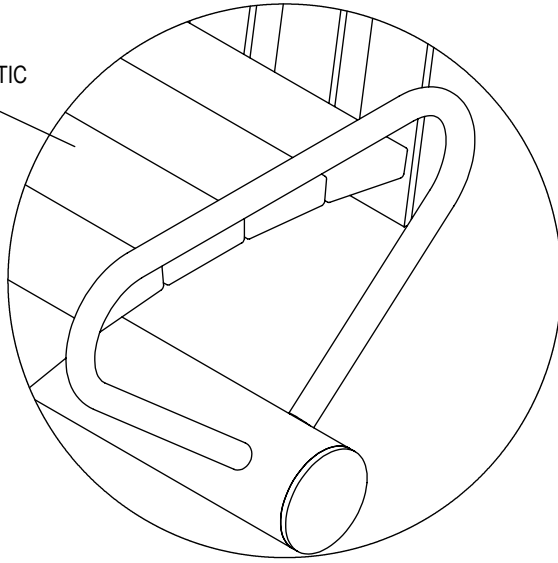


THOMAS STEELE DIVISION

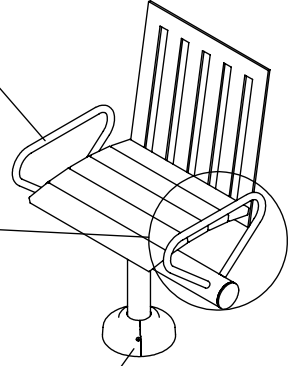
GRABER MANUFACTURING, INC.  
1080 UNIEK DRIVE  
WAUNAKEE, WI 53597

P(800) 448-7931, P(608) 849-1080, F(608) 849-1081  
WWW.MADRAX.COM, E-MAIL: SALES@MADRAX.COM

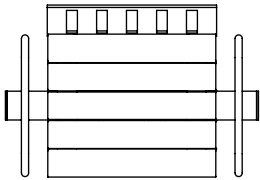
RECYCLED PLASTIC  
OR IPE WOOD



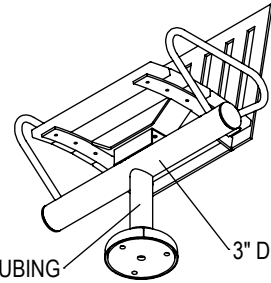
3/4" ROUND STEEL ROD



DIE CAST GROUT COVERS

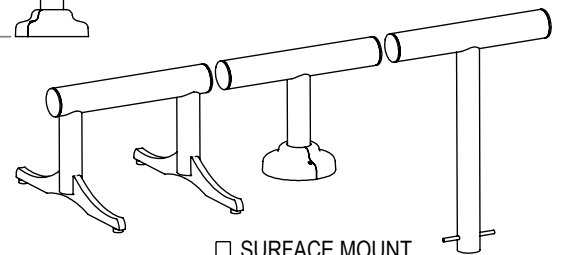
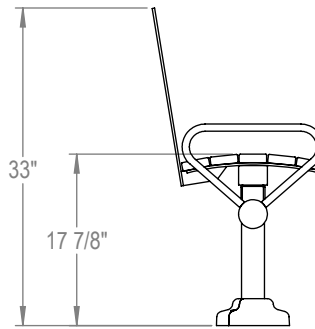
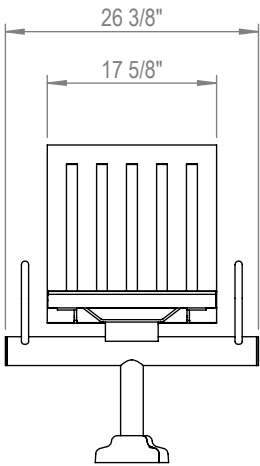


ARM OPTION - SPECIFY  
NUMBER OF ARMS DESIRED \_\_\_\_\_



2 3/8" DIAMETER TUBING

3" DIAMETER TUBING



FREE STANDING

SURFACE MOUNT

IN GROUND

CHECK DESIRED MOUNT

PRODUCT: ASMB-1  
DESCRIPTION: ASHTON BACKED MODULAR BENCH,  
1 SEAT  
DATE: 6-14-16  
ENG: SMC

ALL FASTENERS ARE STAINLESS STEEL  
SOME ASSEMBLY REQUIRED

SITE FURNISHING IS POWDER COATED WITH TGIC POLYESTER.  
STEEL SURFACE PREP INCLUDES MECHANICAL AND CHEMICAL  
ETCHING FOLLOWED WITH A COATING TO IMPROVE ADHESION  
AND CORROSION RESISTANCE.