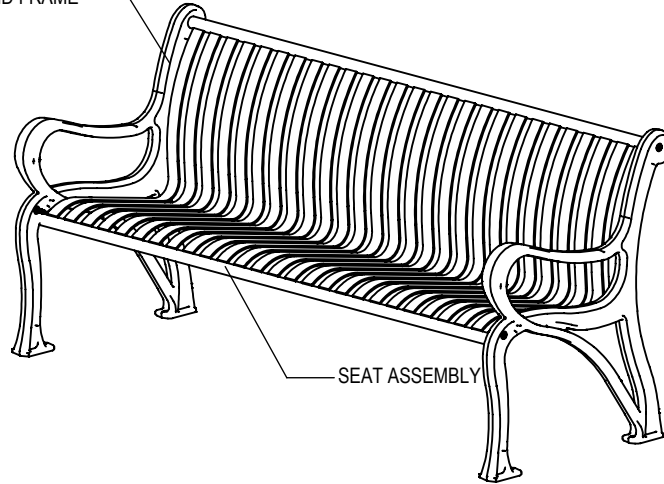
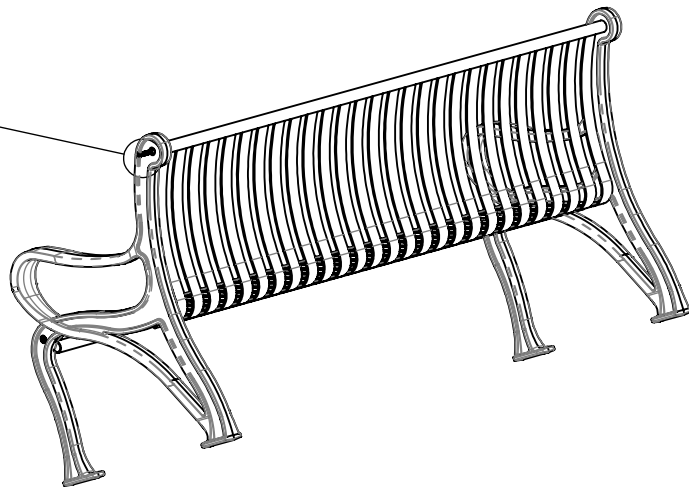
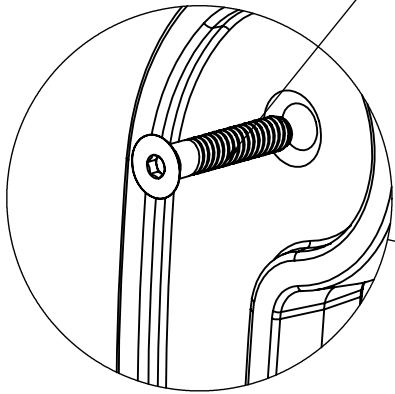


# GRAMERCY BACKED ASSEMBLY SHEET

CAST ALUMINUM END FRAME



APPLY LOCTITE ANTI-SEIZE TO THREADS



ALL FASTENERS ARE STAINLESS STEEL