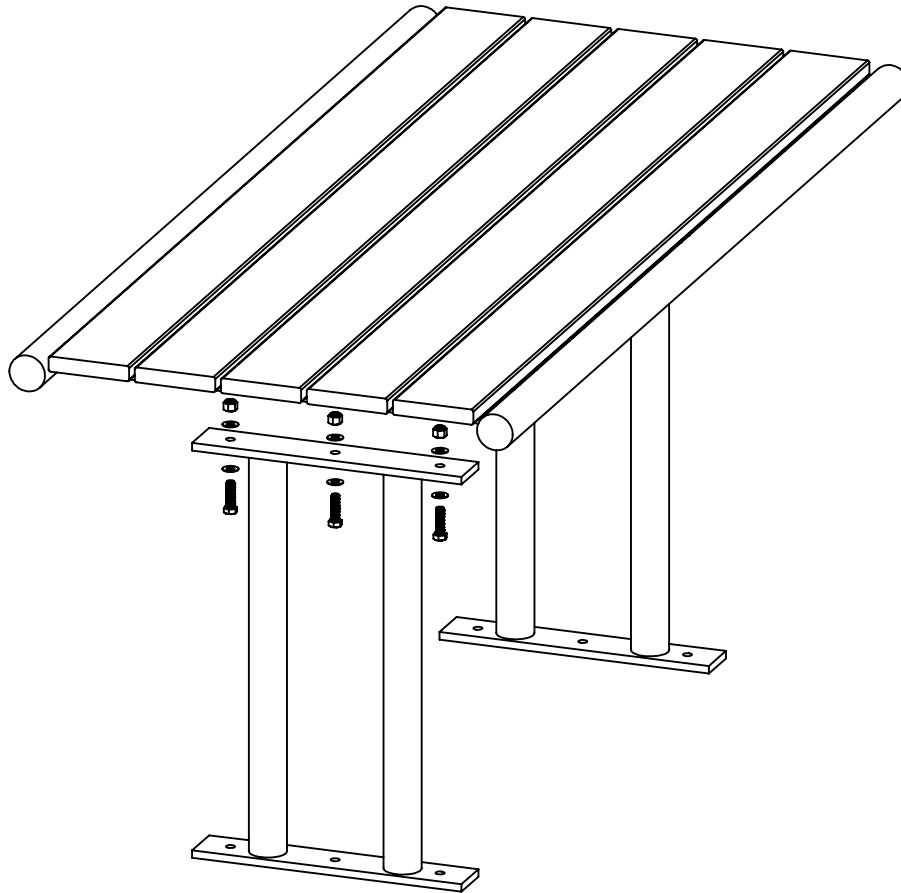




FAIRWAY TABLE HARDWARE SHEET

ASSEMBLE UPSIDE DOWN ON A
CLEAN SCRATCH FREE SURFACE



ITEM NO.	PART NUMBER	QTY.
1	Fairway Table Top	1
2	Fairway Table Legs	2
3	1/2" x 1 3/4" Hex Bolt	6
4	1/2" SS Flat Washer	12
5	1/2" SS Lock Nut	6
6	ANTISEIZE	1

SURFACE FLANGE SHOWN



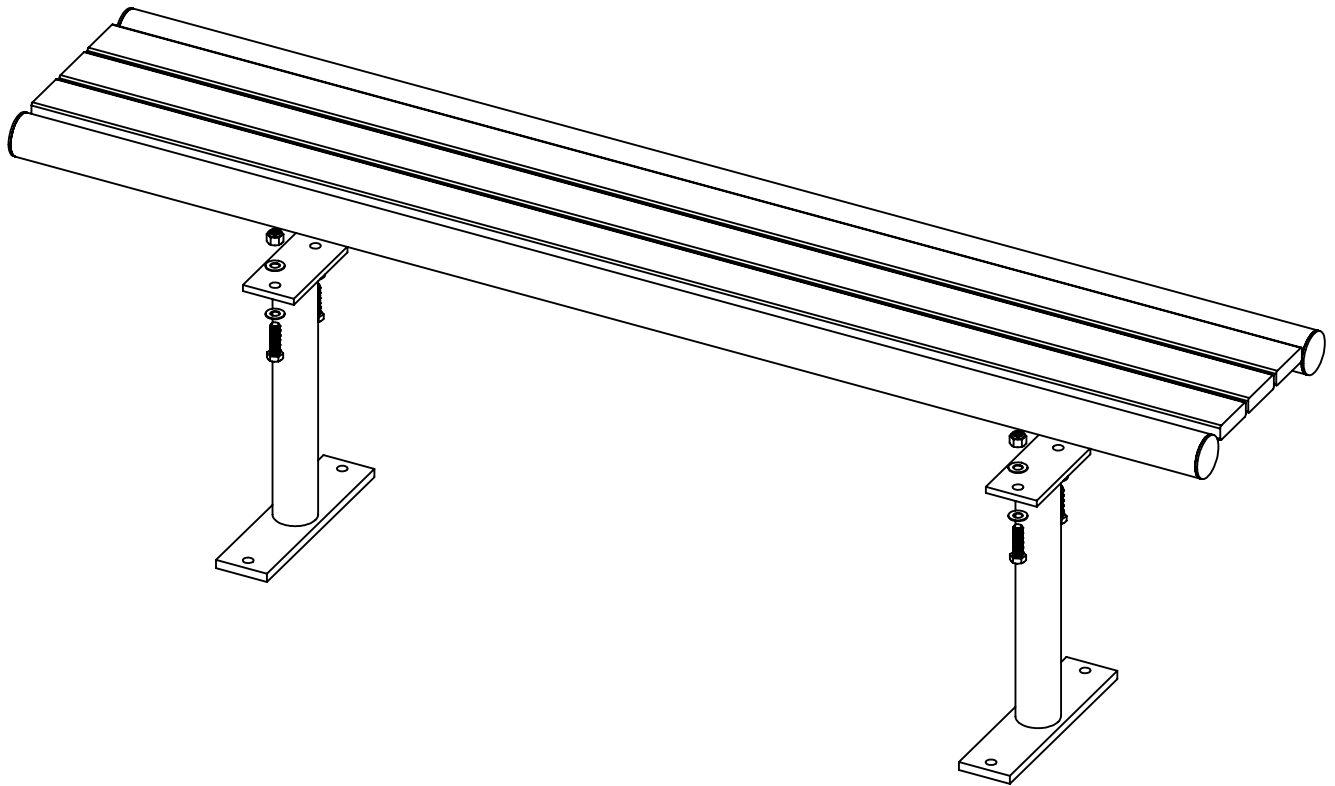
THOMAS STEELE DIVISION

GRABER MANUFACTURING, INC.
1080 UNIEK DRIVE
WAUNAKEE, WI 53597

P(800) 448-7931, P(608) 849-1080, F(608) 849-1081
WWW.MADRAX.COM, E-MAIL: SALES@MADRAX.COM

FAIRWAY BENCH HARDWARE SHEET

ASSEMBLE UPSIDE DOWN ON A CLEAN SCRATCH FREE SURFACE



ITEM NO.	PART NUMBER	QTY.
1	FAIRWAY BENCH TOP	2
2	FAIRWAY BENCH LEG	4
3	1/2" x 1 3/4" SS Hex Bolt	8
4	1/2" SS Flat Washer	16
5	1/2" SS Lock Nut	8
6	ANTISEIZE	1

CONFIDENTIAL DRAWING AND INFORMATION IS NOT TO BE COPIED OR DISCLOSED TO OTHERS WITHOUT THE CONSENT OF GRABER MANUFACTURING, INC. SPECIFICATIONS ARE SUBJECT TO CHANGE WITHOUT NOTICE.

SITE FURNISHING IS POWDER COATED WITH TGIC POLYESTER. STEEL SURFACE PREP INCLUDES MECHANICAL AND CHEMICAL ETCHING FOLLOWED WITH A COATING TO IMPROVE ADHESION AND CORROSION RESISTANCE.