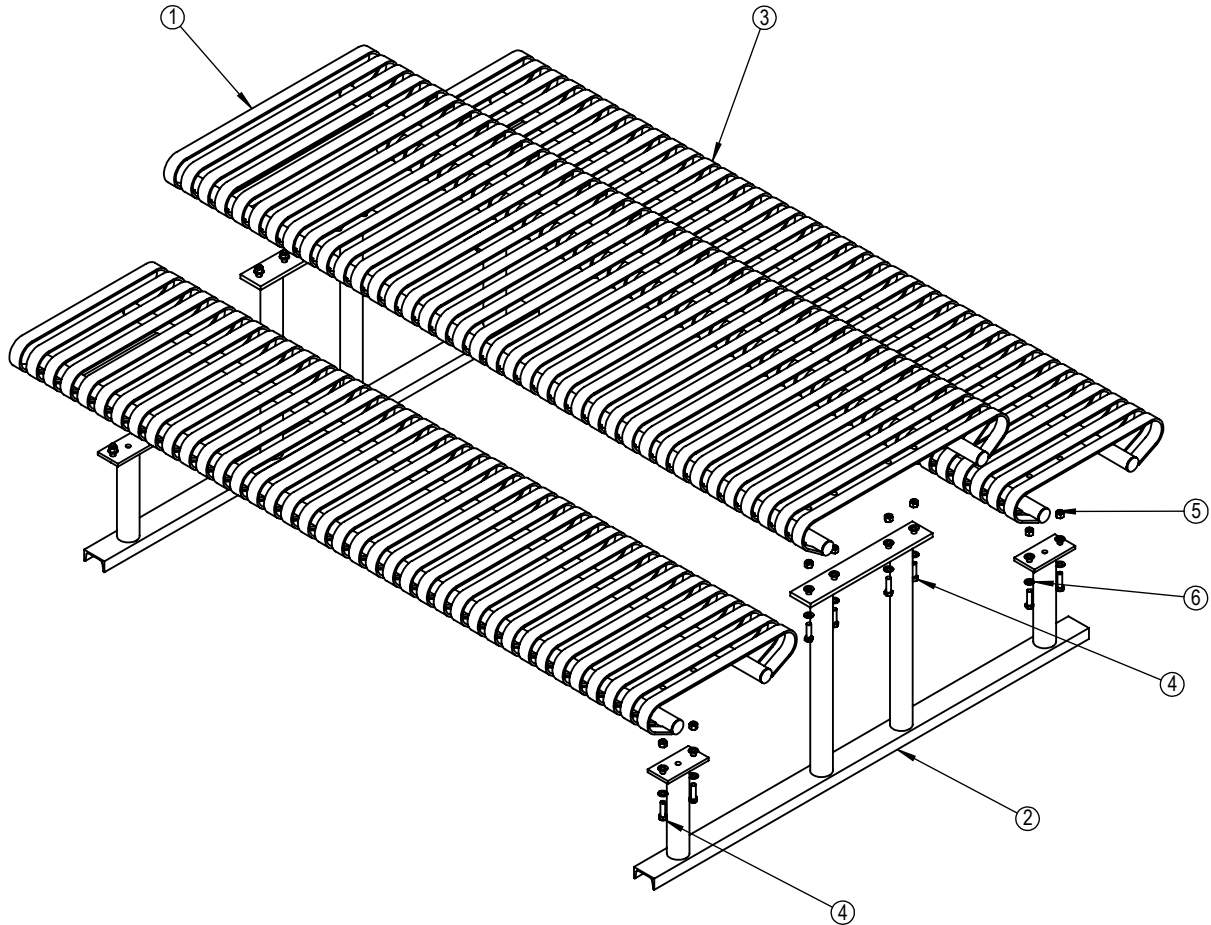


CRTP-8S-FS ASSEMBLY SHEET

ASSEMBLE UPSIDE DOWN ON A
 CLEAN, SCRATCH-FREE SURFACE



ITEM NO.	PART NUMBER	QTY.
1	CRTP-8 Top	1
2	CRTP FS EF	2
3	CRF2-8 SEAT	2
4	1/2"-13 x 1-3/4" SS Hex Bolt	16
5	Lock Nut 1/2"-13 SS	16
6	1/2"ID 1"OD SS Flat Washer	32