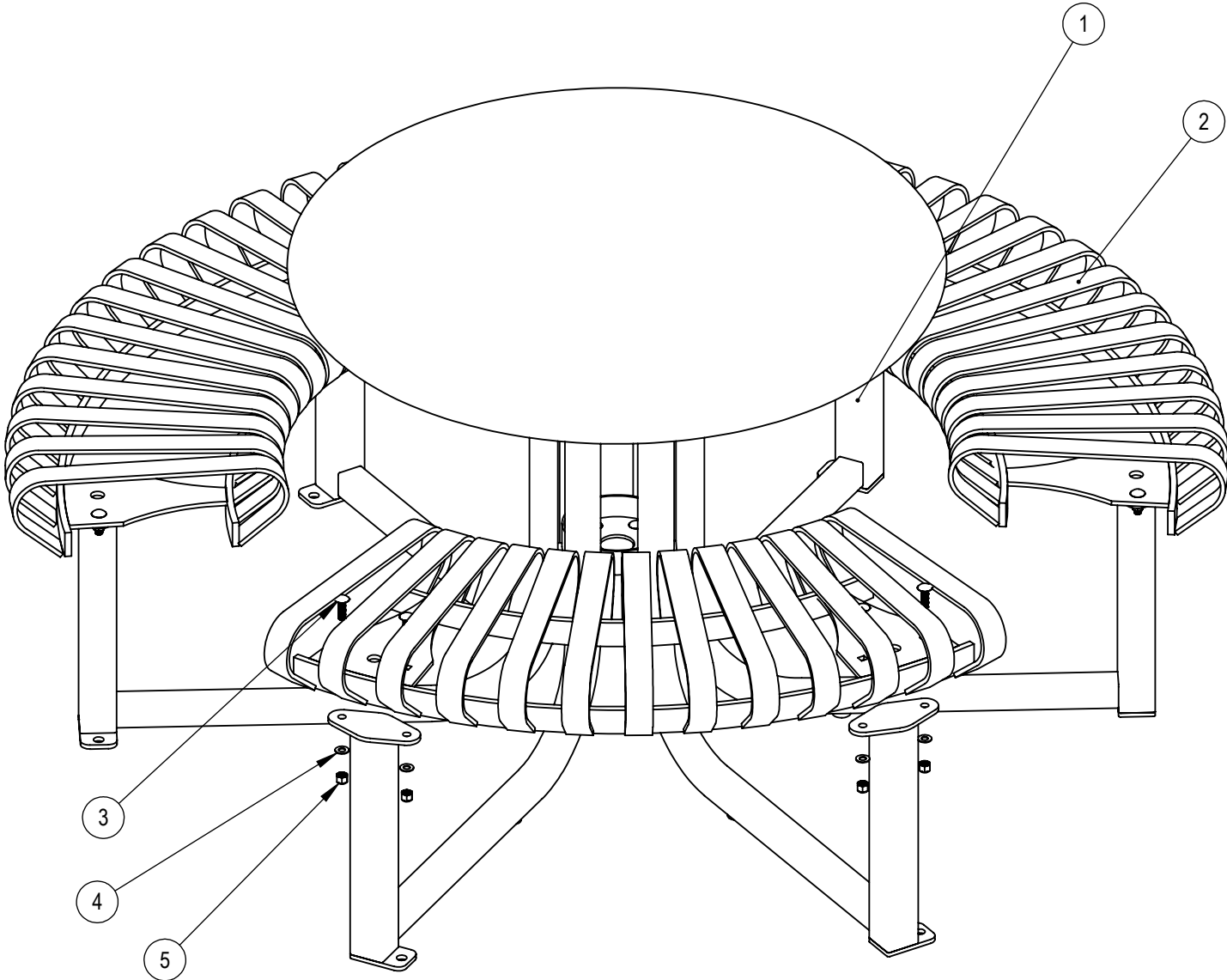


CURVED CARNIVAL 3 SEAT INSTRUCTION SHEET

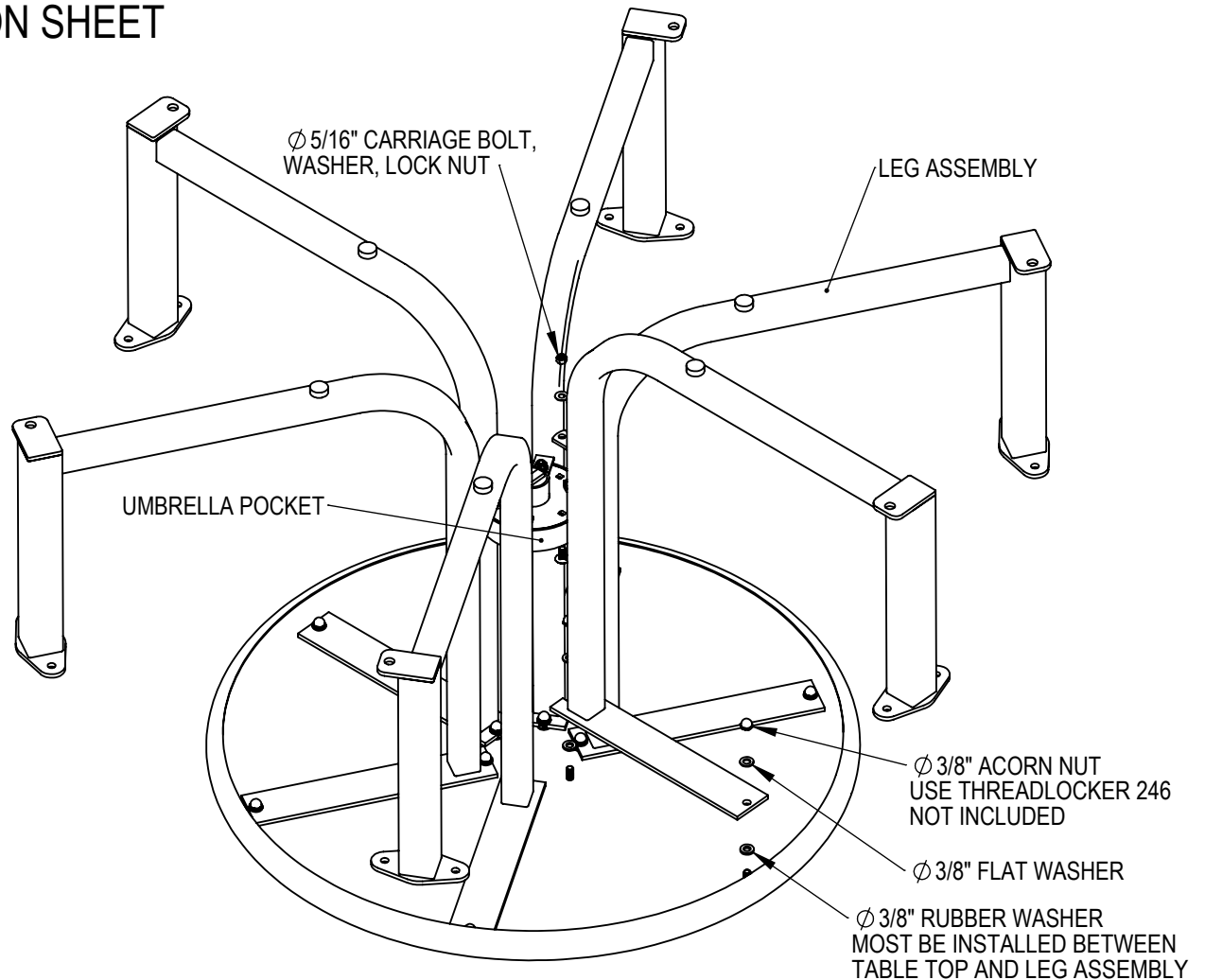


ITEM NO.	PART NUMBER	QTY.
1	CARNIVAL CURVED TABLE LEGS AND TOP	1
2	CARNIVAL CURVED SEATS	3
3	CARRIAGE BOLT 3/8"-16 x 1 1/4"	12
4	3/8" SS Flat Washer	12
5	3/8"-16 Lock Nut	12

CONFIDENTIAL DRAWING AND INFORMATION IS NOT TO BE COPIED OR DISCLOSED TO OTHERS WITHOUT THE CONSENT OF GRABER MANUFACTURING, INC. SPECIFICATIONS ARE SUBJECT TO CHANGE WITHOUT NOTICE.

SITE FURNISHING IS POWDER COATED WITH TGIC POLYESTER. STEEL SURFACE PREP INCLUDES MECHANICAL AND CHEMICAL ETCHING FOLLOWED WITH A COATING TO IMPROVE ADHESION AND CORROSION RESISTANCE.

CURVED CARNIVAL TABLE TOP INSTRUCTION SHEET



ALL FASTENERS MUST BE HAND TIGHTENED.
DO NOT OVER TORQUE. LEAVE LOOSE UNTIL
FULLY ASSEMBLED.

ASSEMBLE UPSIDE DOWN ON A CLEAN
SCRATCH FREE SURFACE.

- STEP 1: INSTALL THE LEGS ON THE TABLE.
- STEP 2: INSTALL THE UMBRELLA POCKET.
- STEP 3: FLIP THE TABLE OVER.
- STEP 4: INSTALL THE SEATS.
- STEP 5: TIGHTEN ALL THE HARDWARE.

3 SEAT IS SHOWN

ITEM NO.	PART NUMBER	QTY.
1	UMBRELLA POCKET	1
2	LEGS AND TOP	1
3	LOCK NUT 5/16"	6
4	NEOPRENE WASHER 3/8"	12
5	FLAT WASHER 3/8"	12
6	ACORN NUT 3/8"	12
7	CARRIAGE BOLT 5/16 X .75"	6
8	WASHER FLAT 5/16"	6
9	ANTISEIZE	1