

GENERAL INSTRUCTIONS

1. Leave all fasteners loose until instructed to tighten.
2. Take care to not cross thread fasteners.

TOOLS NEEDED

9/16" Open End Wrench
8" Adjustable Wrench
9/16" Socket with Impact Driver
Hammer Drill with 3/8" and 1/4" Bits

INCLUDED IN KIT

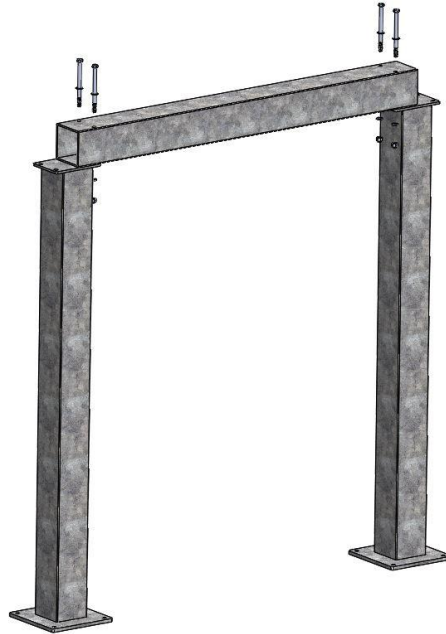
3/8" x 5" Hex Bolt
3/8" Lock Washer
3/8" Flat Washer
3/8" Hex Nut
BBS-Stub (Not Included in AO Kit)
BBS-Clamp
7" Square U Clamp
5" Square U Clamp
BBS-Rail Roller
Clevis Pin
Cotter Pin
3" Square U Clamp
3/8" x 3/4" Torx Button Socket Screw
Torx T45 Tamper Proof Bit (Not Included in AO Kit)
BBS-Stop
1/4" x 2" Spike

NEEDED BUT NOT INCLUDED

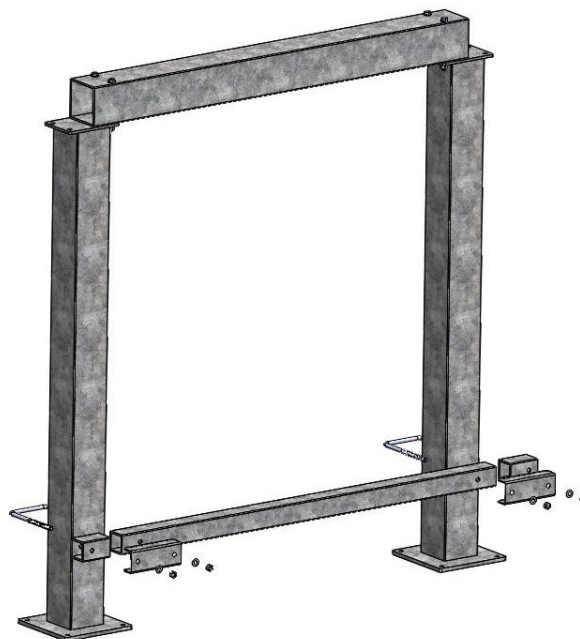
3/8" X 5" Wedge Anchor

STEP 1

Fasten the **BBS-BEAM** to the **BBS-POSTS** using the **3/8" X 5" Zinc Hex Bolts**, **3/8" Zinc Flat Washer**, **3/8" Zinc Lock Washer** and **3/8" Zinc Hex Nut**.

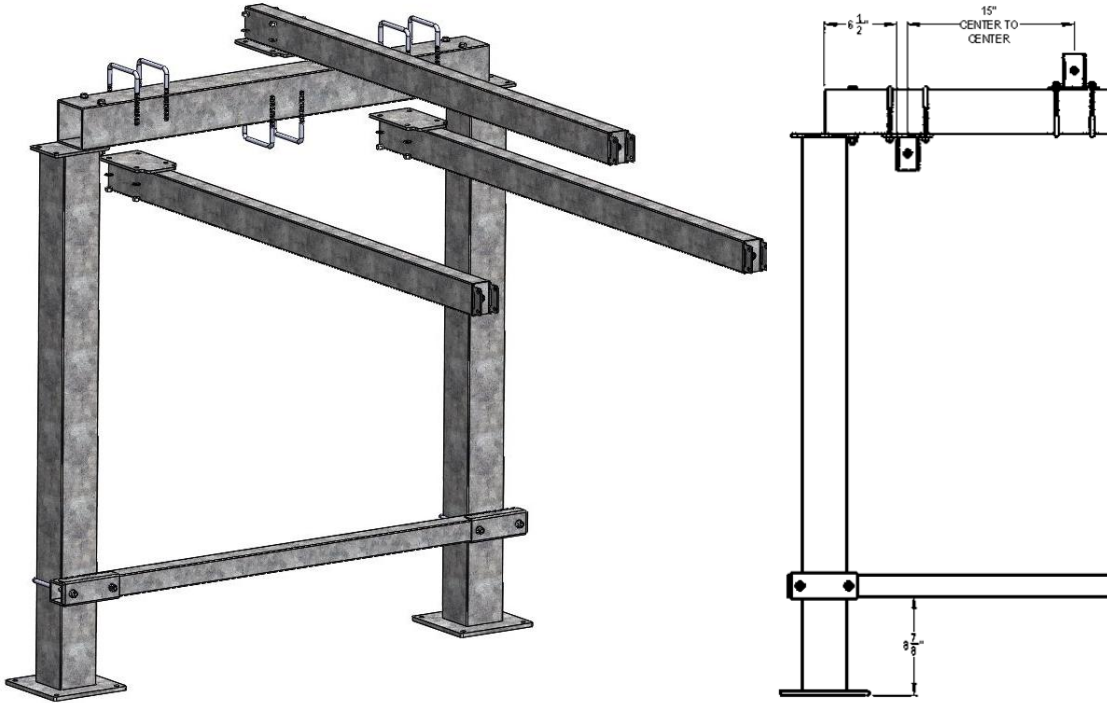
**STEP 2**

Install the **BBS-BEAM-LOWER** with the **BBS-STUB** next to it using the **BBS-CLAMP**. The BEAM should be 8 7/8" from the grade. Use the **7" Square U Clamp**, **3/8" Zinc Flat Washer** and **3/8" Zinc Hex Nut** to fasten to the **BBS-POSTS**. After BEAM and POSTS are assembled, anchor POSTS. Tighten all fasteners with impact driver.

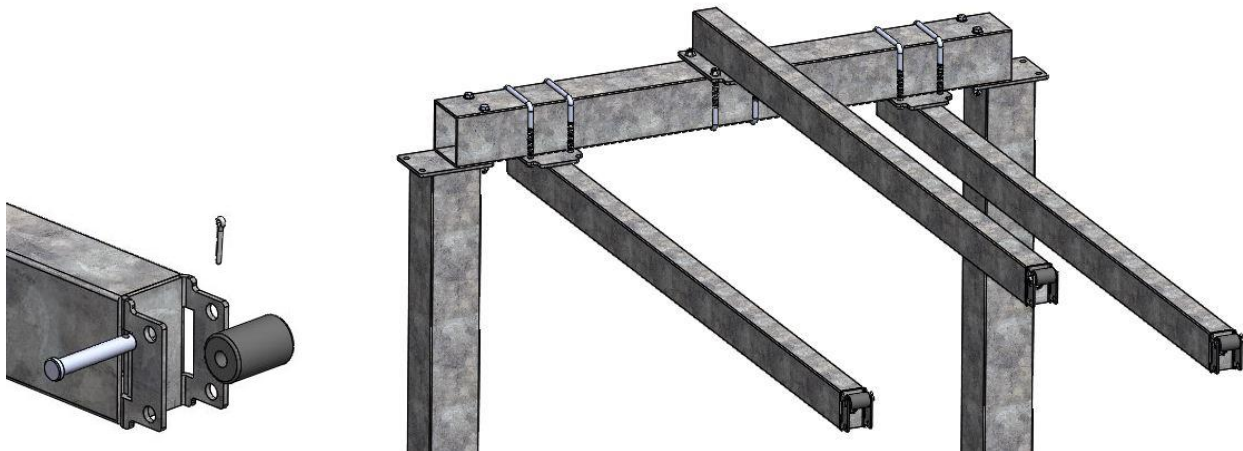


STEP 3

Use the **5" Square U Clamp**, **3/8" Zinc Flat Washer** and **3/8" Zinc Hex Nut** to fasten the **BBS-RAIL-FINALS** to the **BBS-BEAM**, **6 1/2"** in from the end of the **BBS-BEAM**, one above and one below.

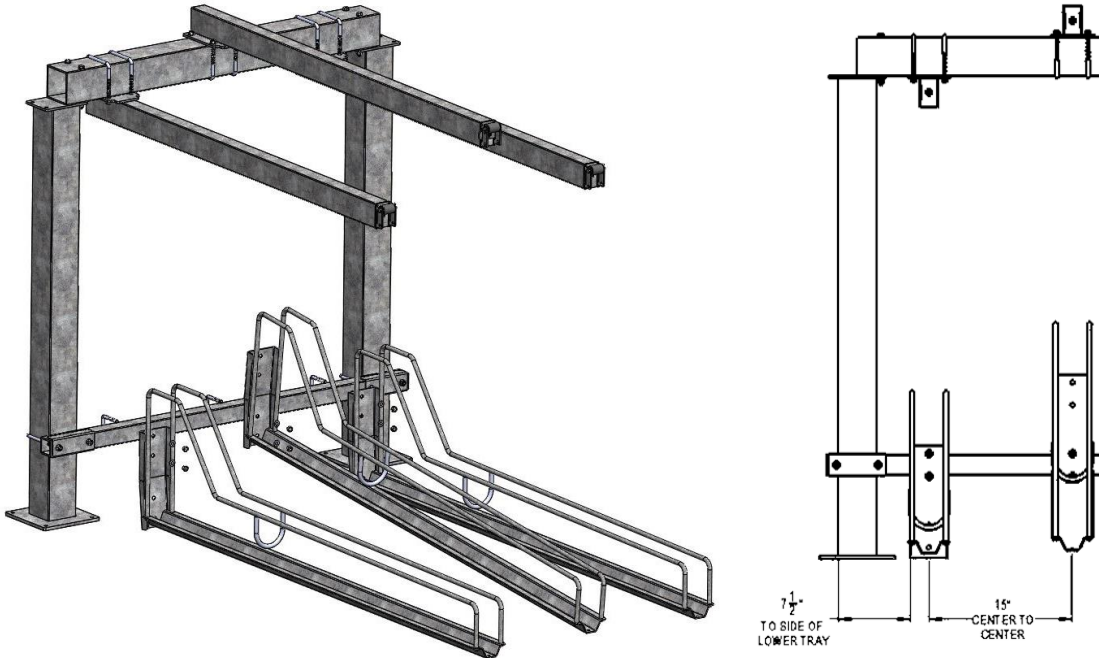
**STEP 4**

Install the **BBS-RAIL-ROLLERS** by fitting them into the uppermost spot on the **BBS-RAIL-FINAL** and sliding the **CLEVIS PIN** through the **ROLLER**. Use the **COTTER PIN** to hold in place.

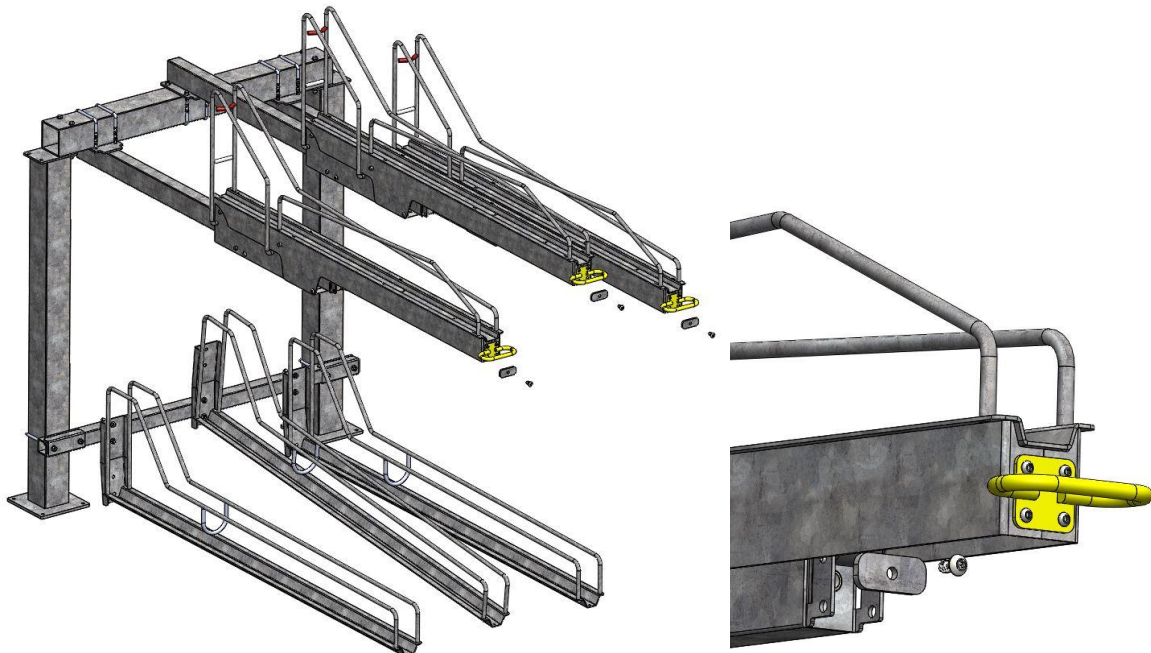


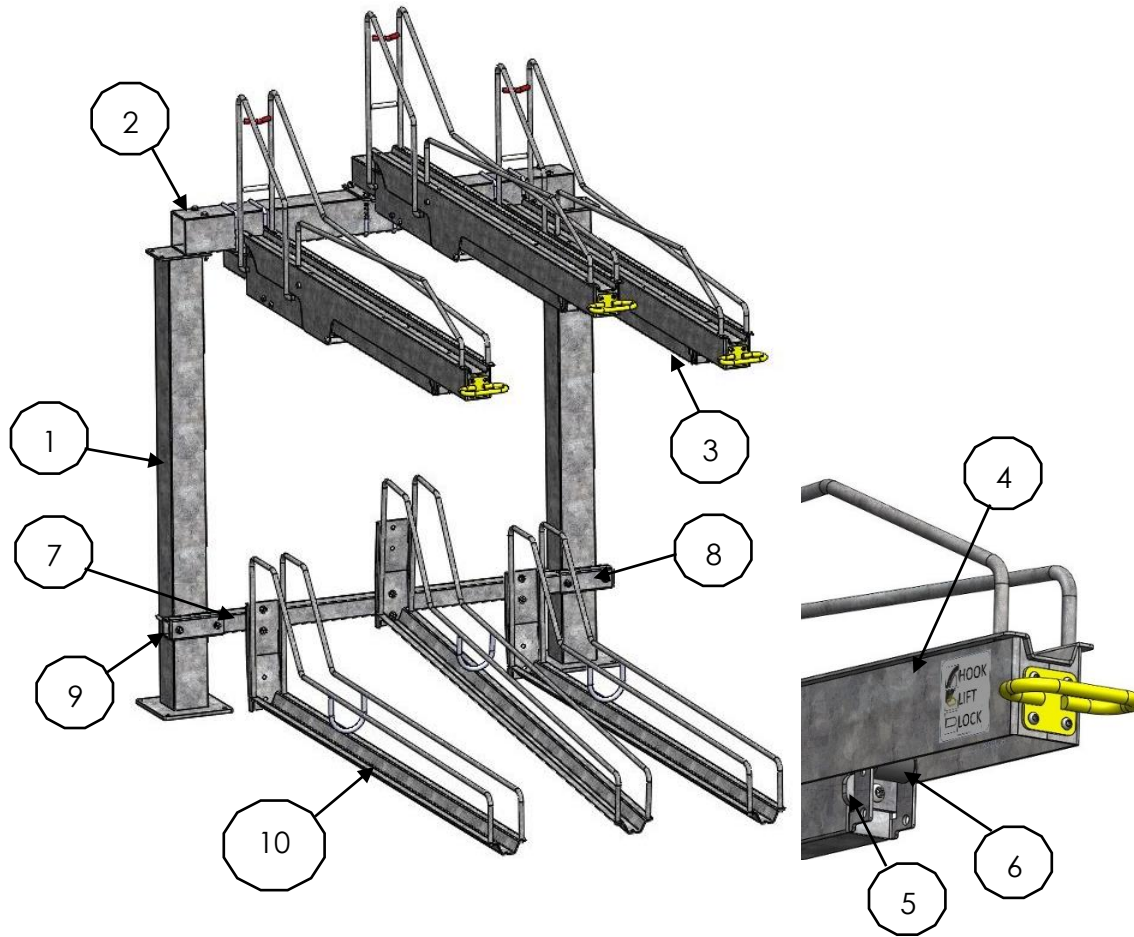
STEP 5

Next use the **3" Square U Clamp**, **3/8" Zinc Flat Washer** and **3/8" Zinc Hex Nut** to fasten the **BBS-TRAY-LOWER** to the **BBS-BEAM-LOWER**. The back side of the **BBS-TRAY-LOWER** should be $7\frac{1}{2}$ " from the outsides of the **BBS-POSTS**.

**STEP 6**

Next slide the **BBS-CARRIAGE AND TRAY** over the **BBS-RAIL-FINALS**. Secure them in place by sliding the **BBS-STOP** through the slot on the end of the **BBS-RAIL-FINALS** and screw the **3/8" X 3/4" Torx Button Socket Screw** into the center hole. Tighten all loose fasteners.





ITEM #	ITEM	QTY	BBS-6-AO QTY
1	BBS-POST	2	1
2	BBS-BEAM	1	1
3	BBS-RAIL-FINAL	3	3
4	BBS-CARRIAGE AND TRAY	3	3
5	BBS-STOP	3	3
6	BBS-RAIL-ROLLER	3	3
7	BBS-BEAM-LOWER	1	1
8	BBS-CLAMP	2	1
9	BBS-STUB	2	-
10	BBS-TRAY-LOWER	3	3

CONFIDENTIAL DRAWING AND INFORMATION IS NOT TO BE COPIED OR DISCLOSED TO OTHERS WITHOUT THE CONSENT OF GRABER MFG. INC.
 SPECIFICATIONS ARE SUBJECT TO CHANGE WITHOUT NOTICE.
 ©2018 GRABER MFG. INC. ALL PROPRIETARY RIGHTS RESERVED.
 INSTALL BIKE RACKS ACCORDING TO MANUFACTURER'S SPECIFICATION